

Heliporter[®]

By
Paravion[®] Technology, Inc.

Owner's Manual



H200 Series

Copyright© 2020
Paravion[®] Technology, Inc.

Introduction

Congratulations! You have purchased one of the finest helicopter ground handling vehicles on the market today. We at Paravion[®] Technology, Inc. have strived to engineer the *Heliporter*[®] to be as maintenance free and simple to operate as possible. This vehicle will be a useful addition to your helicopter flight operation.

As with any new equipment, a necessary period of orientation should be observed. To maximize the use and safety of the *Heliporter*[®], we recommend that the operator practice the operations without the aircraft abroad; then when proficiency is achieved, begin using with your aircraft in unconfined areas.

Paravion[®]
✓ Technology Inc.

2001 Airway Avenue
Fort Collins, Colorado 80524
USA

©Copyright 2020, Paravion Technology, Inc. Paravion[®] and Heliporter[®]
are registered trademarks of Paravion Technology, Inc.
Product specifications, prices, warranty and availability are subject to change without notice.

Paravion[®]
✓ Technology Inc.

Table of Contents

<u>Description</u>	<u>Page</u>
H200E Assembly Instructions.....	3
H200TP Assembly Instructions	4
H200E Operation	5-6
H200TP Operation	7-8
Socket Schedule	9
H200 Battery Charger Operation	10
Service Instructions	11-12
APU Operation	13
Basic Replacement Parts	14
Warranty	15



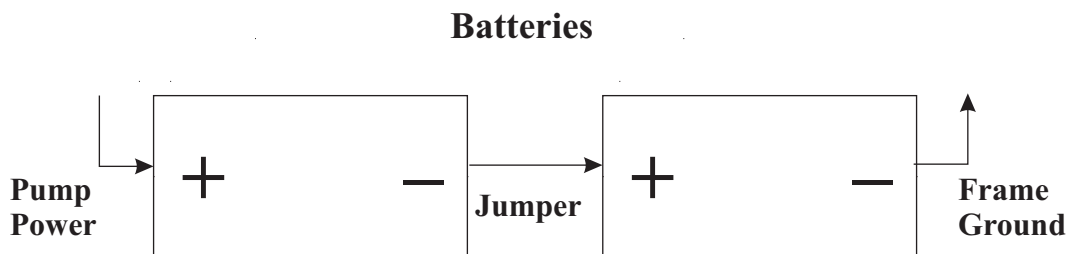
HP200E Assembly Instructions

Steering Handle Assembly

1. Remove tape from steering yoke.
2. Insert set screw into yoke.
3. Remove tape from the handle end.
4. Ensure key is still in handle end while inserting handle end into yoke.
5. Tighten set screw. Set screw should be recessed inside the yoke when tight.

Batteries

1. Connect leads labeled “Pump Power” to Positive (+) terminal.
2. Connect “Jumper” between the two batteries as shown below.
3. Connect “Frame Ground” to Negative (-) terminal on second battery. Ensure all connections are tight.
4. If the APU option was included, this will also be operational by following the above steps.



Paravion[®]
Technology Inc.

HP200TP Assembly Instructions

Steering Handle Assembly

1. Locate tongue to line up holes.
2. Insert bolt as provided.
3. Tighten as necessary to engage locking nut.

Batteries

1. Connect leads labeled “Pump Power” to Positive (+) terminal.
2. Connect leads labeled “Frame Ground” to Negative (-) terminal.

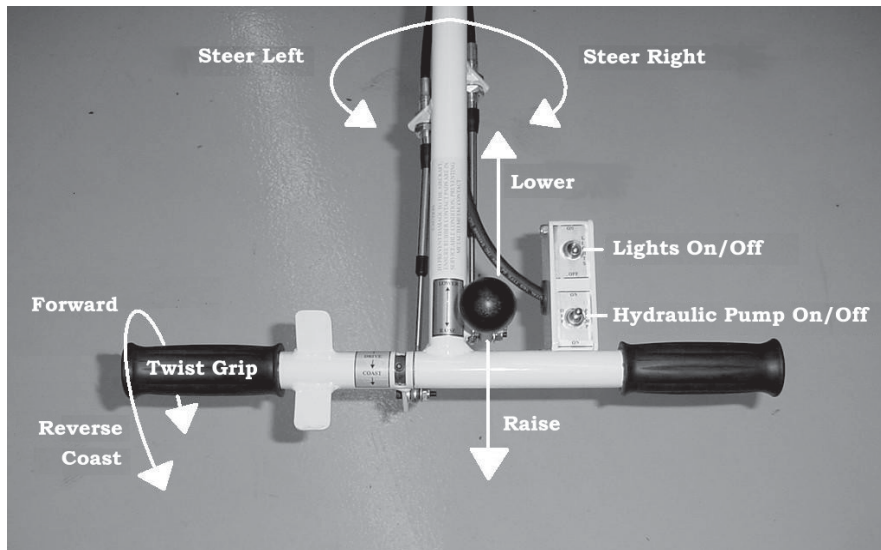
Battery



Paravion[®]
✓ Technology Inc.

Heliporter[®]

H200E Operation



1. While the hydraulic power/pump is in the off position, rotate the twist grip (see Fig. 1) to aft stop. With additional pressure, force the grip past stop to the “Coast” detent position. This position allows the *Heliporter*[®] to freewheel and be maneuvered manually.

Note: Never attempt to position the *Heliporter*[®] under the aircraft by using the hydrostatic drive system.

2. Observe that the lifting platform is in a full “Down” position before maneuvering the *Heliporter*[®] under the aircraft.
3. Guide the *Heliporter*[®] between the skid gear by rotating the control handle assembly counter clockwise to turn left and clockwise to turn right (see Fig. 1). Maneuver the *Heliporter*[®] under the aircraft from front to rear.

Caution: Observe the aircraft belly area to avoid contacting antennas, lights, etc. with the *Heliporter*[®] while maneuvering under the helicopter.

4. Engage the hydraulic pump switch by pushing the toggle switch forward and holding it in the forward position.

Note: The toggle switch is preloaded toward the “Off” position, therefore the *Heliporter*[®] will stop automatically when pressure is released. Never operate the pump switch unless the Twist Grip and Raise & Lower Lever are in the neutral position.

Paravion[®]
✓ Technology Inc.

Heliporter[®]

H200E Operation

5. Raise the lifting platform slowly by pulling aft on the platform control until the *Heliporter*[®] lift pads make contact with the aircraft pickup points. Release the platform control stick and pump switch.
6. With proper alignment achieved and with the pump switch off, rotate the twist grip forward to the spring loaded “Neutral” position. This will engage the hydrostatic brakes and prevent the *Heliporter*[®] from moving as the helicopter's skids leave the ground. Re-engage the pump and continue to raise the platform.
7. When the desired height is achieved, release the platform control and hydraulic pump switch. With controls released, the aircraft will remain in the desired position.

Caution: The helicopter can be lowered by pushing forward on the platform control without the hydraulic pump operating. An abrupt forward movement of the platform control will cause rapid lowering of the helicopter, possibly causing damage to the aircraft or personnel. With the weight of the helicopter on the ground, it may be necessary to use the hydraulic pump to fully lower the platform.

8. The twist grip (see Fig. 1) controls forward and aft movement of the *Heliporter*[®], it also controls the throttle speed. The speed is determined by the degree of rotation to the twist grip. A small rotation will move the *Heliporter*[®] slowly and full rotation will move the *Heliporter*[®] at full speed of 2.5 mph.

Caution: When engaging the hydrostatic drive, rotate the twist grip *slowly*.

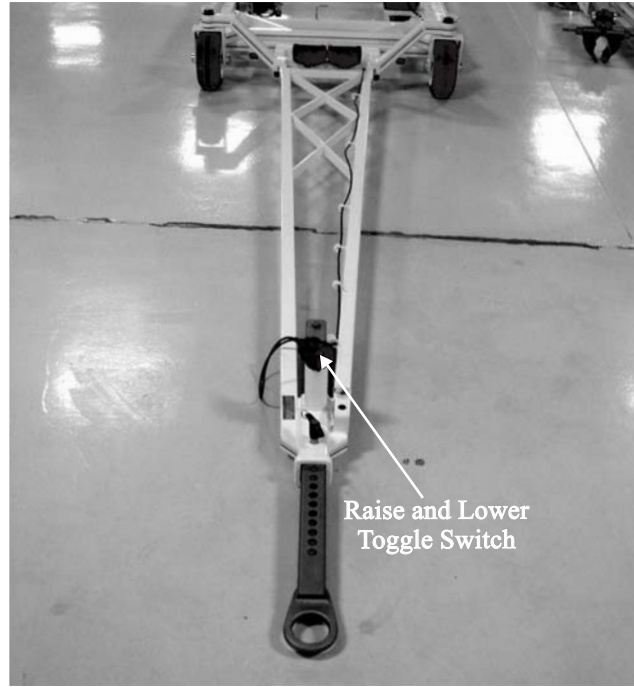
9. To move a helicopter while being supported on the lifting platform, engage the hydraulic pump switch and rotate the left hand grip forward *slowly* to move rearward. To move forward, rotate the left hand grip *slowly* aft (See Fig. 1).
10. When the aircraft is raised and proper speed and direction are achieved, the operator can move the entire control handle assembly to the right or left of the aircraft to facilitate viewing the area toward which the aircraft is moving.

CAUTION: Never take off or land over the *Heliporter*[®].

Paravion[®]
✓ Technology Inc.

Heliporter[®]

H200TP Operation



1. Observe that the lifting platform is in a full “Down” position before maneuvering the *Heliporter*[®] under the aircraft.
2. Guide the *Heliporter*[®] between the skid gear by moving the tongue assembly left and right which will swivel the front wheels. Maneuver the *Heliporter*[®] under the aircraft from front to rear.

Caution: Observe the aircraft belly area to avoid contacting antennas, lights, etc. with the *Heliporter*[®] while maneuvering under the helicopter.

3. Raise the lifting platform slowly by pushing the pump toggle switch until the *Heliporter*[®] lift pads make contact with the aircraft pickup points. Release the toggle switch.
4. With proper alignment achieved. Re-engage the toggle and continue to raise the platform.

Paravion[®]
✓ Technology Inc.

Heliporter[®]

H200TP Operation

5. When the desired height is achieved, release the toggle switch. With the toggle switch released, the aircraft will remain in the desired position.
6. To move a helicopter while being supported on the lifting platform, attach the desired unit capable of moving the helicopter.

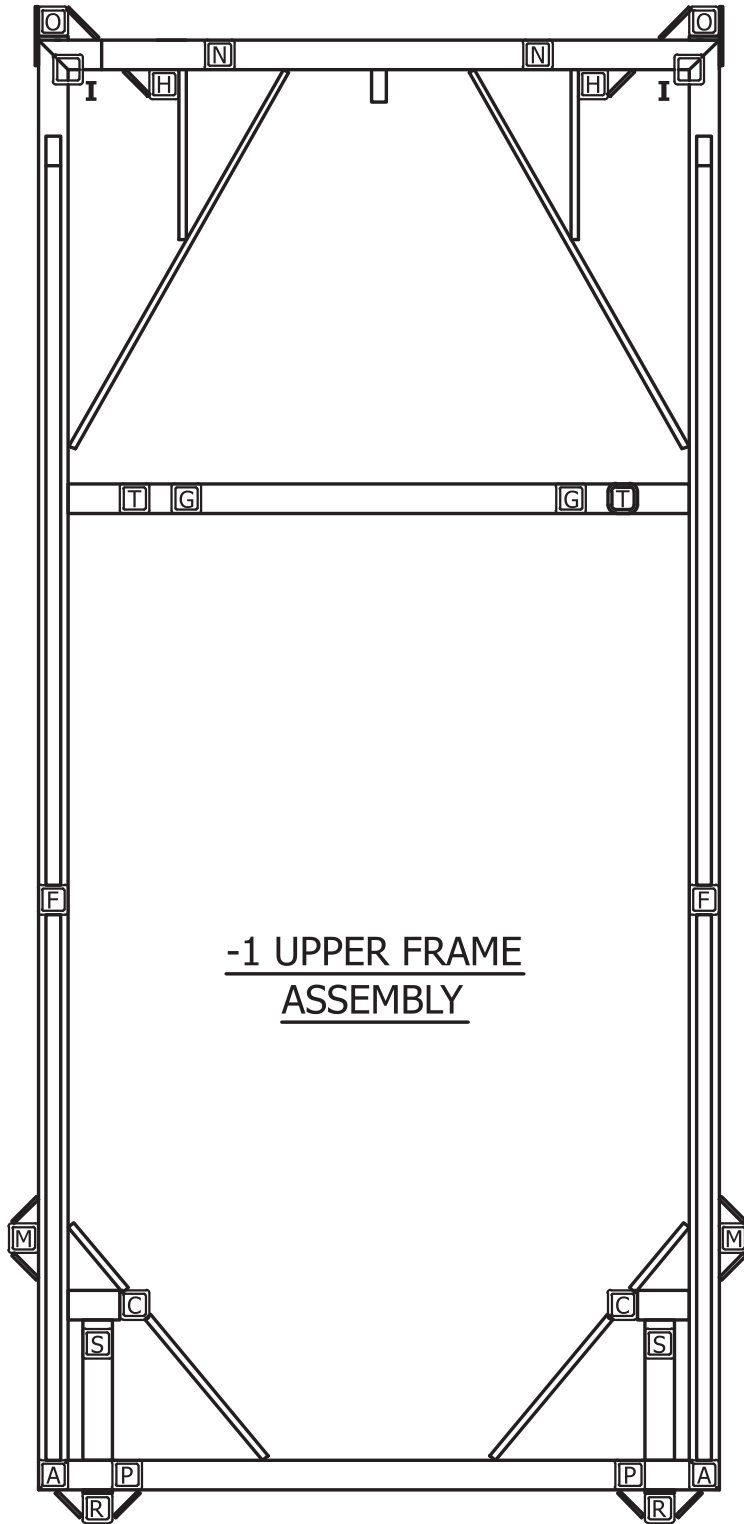
Note: Never leave the unit unattended while a helicopter is raised off the ground.

7. When the desired location of the aircraft is achieved, engage pump switch to lower platform. Continue to lower platform until it is in full down position.
8. *Heliporter*[®] is now ready to be removed from under the aircraft.

CAUTION: Never take off or land over the *Heliporter*[®].

Paravion[®]
✓ Technology Inc.

HP 200 Socket Schedule



-1 SOCKET SCHEDULE	
A	EC-120
C	206B, 206L, 407, 427
F	AS350, AS355
G	206B
H	206L, 407, 427
I	AS350, AS355
M	EC-135
N	EC-120, EC-130, EC-135
O	KOALA
P	KOALA
R	EC-130
S	OH-58
T	OH-58

Paravion[®]
 Technology Inc.

Heliporter[®]
H150E-7200-3
Battery Charger Assembly



H150E-7200-3: This charger is fully automatic. It can be plugged in anytime the *Heliporter[®]* is not in use and will maintain the batteries as needed.

LED Indicator information:

Red Flashing: Battery Bad Cell

Amber: Battery Weak < 12.5 V

Green: Full Charge/Power Connected

Green Flashing: Battery ECO Mode

Blue: Analysis stage

Blue Flashing: Desulfating pulses are in process

CAUTION: Do not operate *Heliporter[®]* while charger is plugged in.

Paravion[®]
Technology Inc.

Heliporter[®]

Servicing Instructions

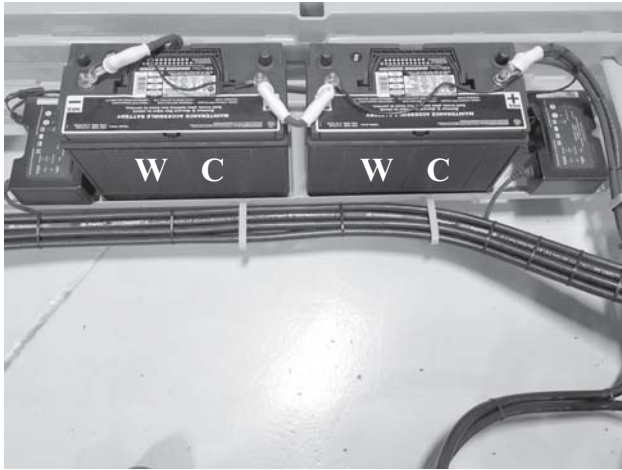


Fig. 2

- W - Service batteries with water
- G - Grease all zerks (Front & Back wheels)
- C - Charge batteries using provided charger
- H - Service hydraulic system with 10W30 motor oil

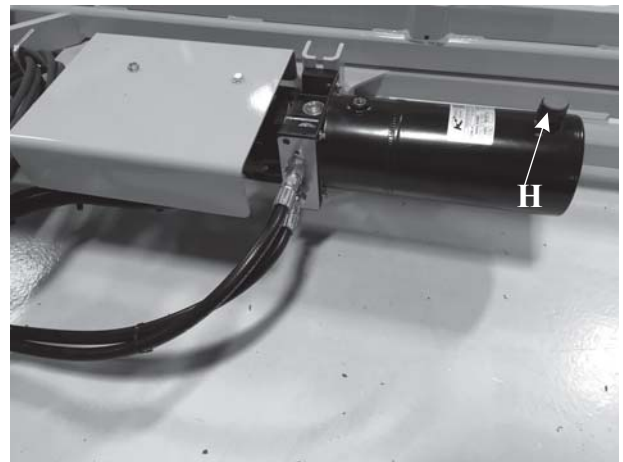


Fig. 3

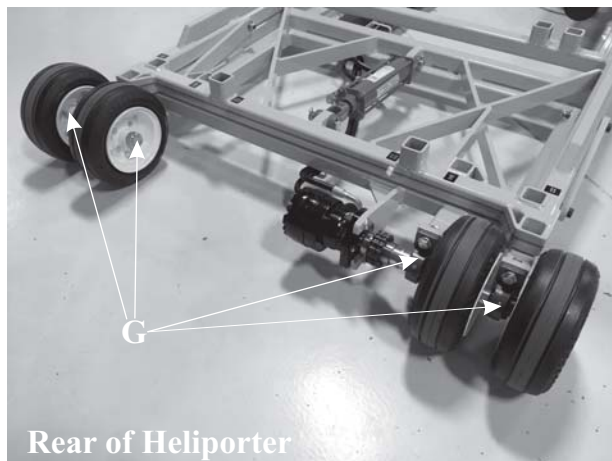


Fig. 4

Paravion[®]
✓ Technology Inc.

Heliporter[®]

Service Instructions

Recommended Lubricants and Service Terms

Grease: Quality lithium based automotive-type grease

Battery Fluids: Distilled water

Hydraulic Fluid: 10W30 Motor Oil

Service Points: (See Figs. 2, 3, and 4)

1. Check the battery fluid levels monthly. Fill to proper levels if low. (Fig. 2).
2. Check the hydraulic fluid level monthly. Fill to 1/2 of reservoir capacity with the platform in full “down” position. (Fig. 3)
3. If stored outdoors, cover the charging system with a waterproof cover when not in use. (Fig. 3)

Caution: Never operate the charger while covered.

4. For older models using pneumatic tires, maintain tire pressure to the tire manufacture's recommendation.
5. Inspect tires, hoses, couplings, cables, and electrical wires for serviceable condition before each use.
6. Plug the charging system into AC electric receptacle for system recharging as necessary. (Fig. 3)
7. Check all hardware at attachment points for security before each use.
8. Grease all zerks, a minimum of twice yearly. The wheel bearings should be greased more often, as usage and environmental conditions dictate. (Fig. 2 & 4).
9. Replace the protective pads at lift contact points as necessary.

The logo for Paravion Technology Inc. features the word "Paravion" in a serif font with a registered trademark symbol, positioned above a horizontal line. Below the line, the word "Technology" is written in a larger, bold serif font, with a checkmark symbol to its left. To the right of "Technology", the word "Inc." is written in a smaller serif font.

Heliporter[®]

HP200E APU Operation

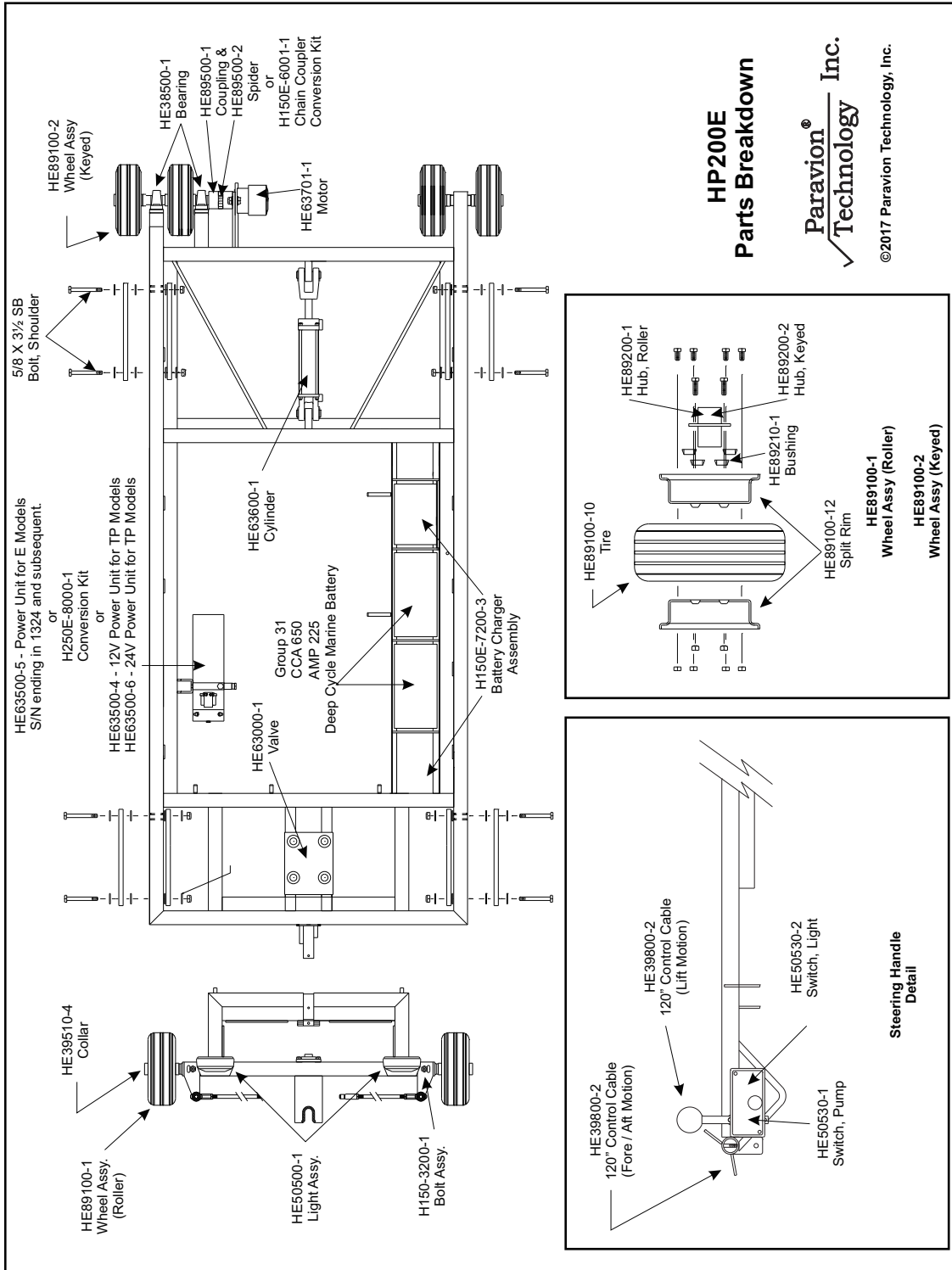
Prior to its use, check for proper voltage. To operate the APU, simply plug the connector into the aircraft receptacle.

Make sure APU is properly stowed when not in use and keep the cord from coming into contact with any moving parts.

Paravion[®]
✓ Technology Inc.

Heliporter®

HP200E Basic Replacement Parts



HP200E Parts Breakdown

**Paravion®
Technology Inc.**

©2017 Paravion Technology, Inc.

**Paravion®
Technology Inc.**

WARRANTY

Warranty Terms: Paravion[®] Technology, Inc. warrants that the components contained in this product shall be free from defects in materials and workmanship under normal use and service for 1 year from the date of purchase, if and only if the product is maintained and operated in accordance with the specifications and instructions provided by Paravion[®] Technology, Inc.

Limitations and Exclusions: This warranty shall not apply to any product repaired or altered by parties other than Paravion[®] Technology, Inc. unless express prior authorization is granted; nor shall this warranty apply to any product subjected to misuse or accident unless proof is submitted to the satisfaction of Paravion[®] Technology, Inc. that such misuse or accident was not a cause for the claimed defect.

The sole responsibility and liability of Paravion[®] Technology, Inc. and your exclusive remedy under any claim arising out of, connected with, or resulting from this sale or the performance or breach of any condition of warranty thereunder, or from the manufacture, delivery, or use of the product shall be the repair or replacement of the defective parts.

In no event, whether as a result of a breach of contract, warranty, tort (including negligence) or otherwise, shall Paravion[®] Technology, Inc. be liable for any special, consequential, incidental or penal damages or expenses including but not limited to loss of profit, goodwill, or revenues, loss of associated equipment, cost of capital, cost of substitute products, facilities or services, down time, or costs or claims of third parties for such damages or expense.

The foregoing warranty is exclusive and in lieu of all other warranties or remedies whether written, oral, implied or statutory. Any and all implied warranties or merchantability, fitness for a particular purpose, course of dealing, or usage of trade are hereby disclaimed and excluded.

Acceptance of this product by you shall constitute your acknowledgement and acceptance of the terms, provisions, limitations, and exclusions set forth herein. Such terms, provisions, limitations, and exclusions shall not be modified, deleted, or supplemented except by the express written acknowledgement of Paravion[®] Technology, Inc. Warranty is non-transferable and subject to change without notice

Warranty Performance: All claims under this warranty shall be made to Paravion[®] Technology, Inc. All returned parts must be shipped prepaid for evaluation to Paravion[®] Technology, Inc. Full details of the symptoms of the malfunction should be included to assist in this evaluation. Warranty credit or replacement will be extended only after Paravion[®] Technology, Inc. has determined that all conditions of this warranty have been met.

The logo for Paravion Technology Inc. features the word "Paravion" in a serif font with a registered trademark symbol, positioned above a horizontal line. Below the line, the word "Technology" is written in a larger, bold serif font, with a checkmark symbol to its left. To the right of "Technology", the word "Inc." is written in a smaller serif font.

Paravion[®]
✓ Technology Inc.

2001 Airway Avenue
Fort Collins, CO 80524
USA

www.paravion.com
E-Mail: paravion@paravion.com

Phone: (970) 224-3898
Fax: (970) 224-3899