

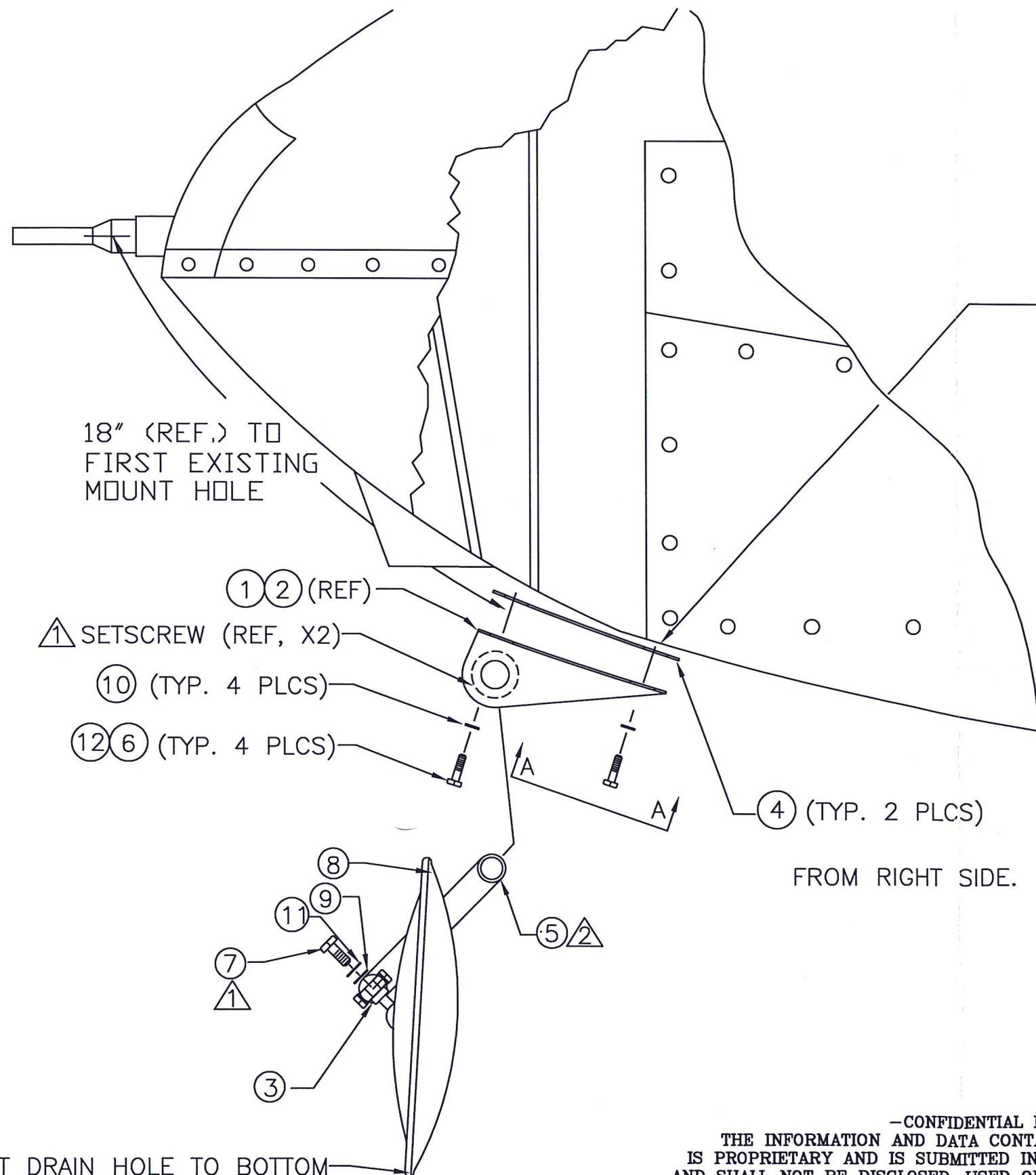
1 INSTALL USING LOCTITE PRODUCT 242 OR EQUIVALENT.

2 SLIDE 206EM-1010-1 ARM ASSEMBLY INTO 206EM-1000-1,-2 BRACKETS. CENTER ARM IN BRACKETS. TIGHTEN SET SCREWS IN BRACKET COLLARS. ADHERE PLASTIC CAP TO OPEN END OF ARM ASSEMBLY USING PERMATEX QUICK GEL 81778 OR EQUIVALENT.

SHEET	REV	ECO	DATE	DESCRIPTION	APR	CHK
1,2	A		02/11/03	ADDED -2 INSTALLATION, LOCTITE 242 WAS 81792.	GP	LS
1		1	12/23/08	3 -2 INSTALLATION WAS 206EM-1010-2	REB	CEH
1,2		2	05/07/09	NOTE 1 REMOVED REF. TO 206EM-1010-2	REB	CEH
1,2	B		01/29/14	ADDED OPTIONAL SCREWS 12		

WEIGHT AND BALANCE DATA:
 TOTAL ASSEMBLY WEIGHT: 2.1 LBS.
 LONGITUDINAL MOMENT: ±32.6 IN.-LBS.

REVISE AIRCRAFT WEIGHT AND BALANCE TO REFLECT PERMANENT INSTALLATION OF MIRROR. MAKE APPROPRIATE LOGBOOK ENTRY.



LOCATE IN CENTER PANEL REFERENCE VIEW A-A.

18" (REF.) TO FIRST EXISTING MOUNT HOLE

- 1 2 (REF)
- 1 SETSCREW (REF, X2)
- 10 (TYP. 4 PLCS)
- 12 6 (TYP. 4 PLCS)

4 (TYP. 2 PLCS)

FROM RIGHT SIDE.

-1/-2 INSTALLATION

-1 MIRROR ON RIGHT SIDE OF CABIN
 -2 MIRROR ON LEFT SIDE OF CABIN (SHOWN)

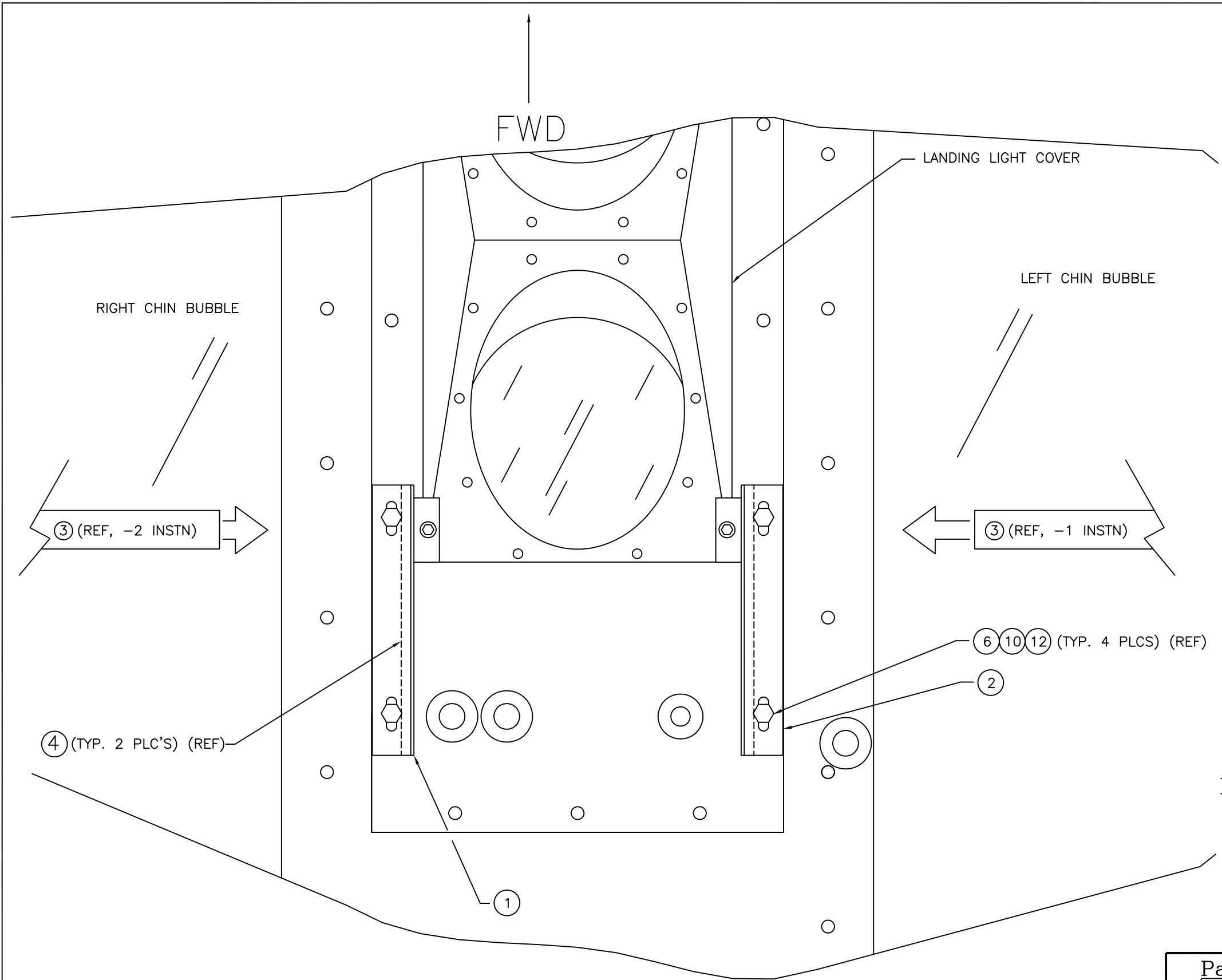
ORIENT DRAIN HOLE TO BOTTOM

-CONFIDENTIAL INFORMATION-
 THE INFORMATION AND DATA CONTAINED HEREIN IS PROPRIETARY AND IS SUBMITTED IN CONFIDENCE; AND SHALL NOT BE DISCLOSED, USED OR DUPLICATED FOR ANY PURPOSE WHATSOEVER WITHOUT THE PRIOR WRITTEN PERMISSION OF PARAVION TECHNOLOGY, INC.

PROTO
 N/C

Paravion® Technology Inc.		TITLE EXTERIOR MIRROR INSTALLATION			DRAWING NO. 407EM-100	
DIMENSIONS IN INCHES		DRAWN BY	APRVD. BY	CHK'D BY	DATE	REV
TOLERANCES EXCEPT WHERE NOTED:		FWL	REB	LS	01/06/98	B
		ECO				
		DO NOT SCALE DRAWING				SHEET
		© 2000 PARAVION TECH., INC. PARAVION IS A TRADEMARK OF PARAVION TECHNOLOGY, INC.				1 OF 2

.X = ± .1
 .XX = ± .05
 .XXX = ± .010
 ANGLES = ± 1°



VIEW A-A
(VIEW LOOKING UP AT LANDING LIGHT)

-1/-2 INSTALLATION

-CONFIDENTIAL INFORMATION-
THE INFORMATION AND DATA CONTAINED HEREIN
IS PROPRIETARY AND IS SUBMITTED IN CONFIDENCE;
AND SHALL NOT BE DISCLOSED, USED OR DUPLICATED
FOR ANY PURPOSE WHATSOEVER WITHOUT THE PRIOR
WRITTEN PERMISSION OF PARAVION TECHNOLOGY, INC.

PROTO
N/C

		TITLE EXTERIOR MIRROR INSTALLATION			DRAWING NO. 407EM-100	
DIMENSIONS IN INCHES TOLERANCES EXCEPT WHERE NOTED: .X = ± .1 .XX = ± .05 .XXX = ± .010 ANGLES = ± 1°						
DRAWN BY FWL ECO	APRVD. BY REB	CHK'D BY LS	DATE 01/06/98	REV B	ECO	
DO NOT SCALE DRAWING				SHEET 2 OF 2		
© 2000 PARAVION TECH., INC. PARAVION IS A TRADEMARK OF PARAVION TECHNOLOGY, INC.						

Bill of Materials

*407EM-100-1/-2, REV. B

ITEM #	P/N	DESCRIPTION	QTY	TYP
0	*407EM-100-1/-2, REV. B	EXTERIOR LOAD MIRROR INST'N	1	KIT
1	206EM-1000-1	BRACKET ASSEMBLY	1	EA.
2	206EM-1000-2	BRACKET ASSEMBLY	1	EA.
3	206EM-1010-1	ARM ASSEMBLY	1	EA.
4	407EM-1000-1	SPACER	2	EA.
5	9753K52	PLASTIC CAP	1	EA.
6	AN3-3A	BOLT	4	EA.
7	AN5-6A	BOLT	1	EA.
8	ES08010-1	MIRROR	1	EA.
9	MS35333-41	STAR WASHER	1	EA.
10	NAS1149F0332P	WASHER	4	EA.
11	NAS1149F0532P	WASHER	1	EA.
12	AN3-5A	BOLT	4	EA.