

NOTES:

▲ INSTALL PLACARD ON OUTER FUSELAGE SKIN IN CLOSE PROXIMITY TO HARD POINTS.

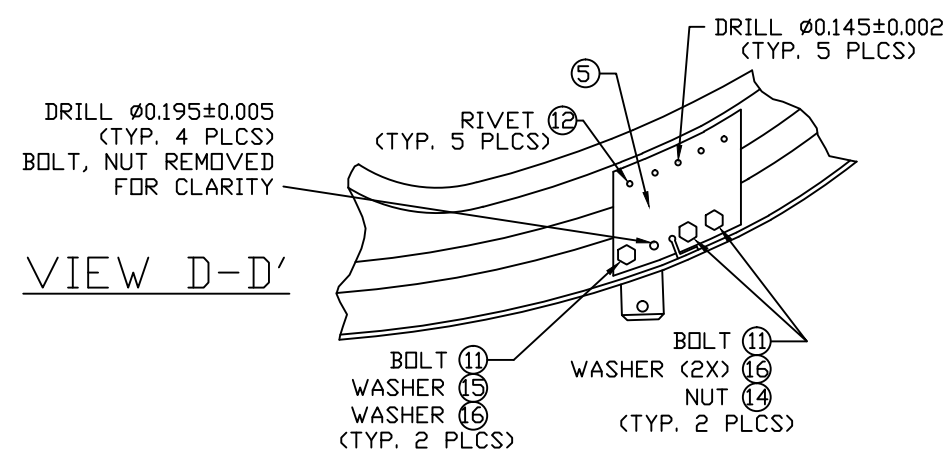
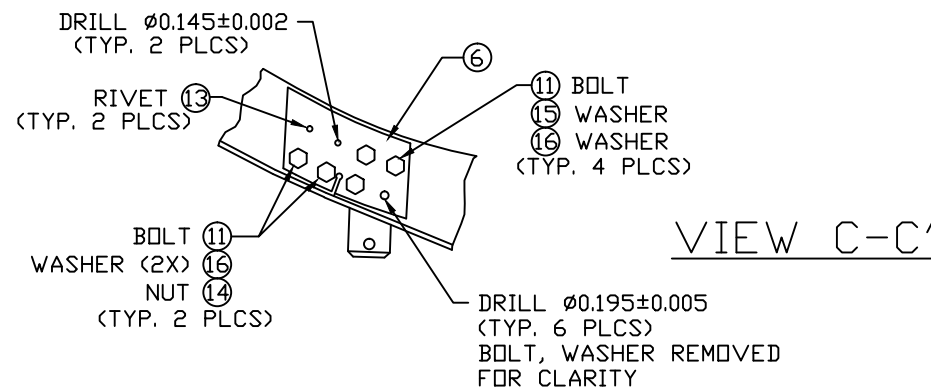
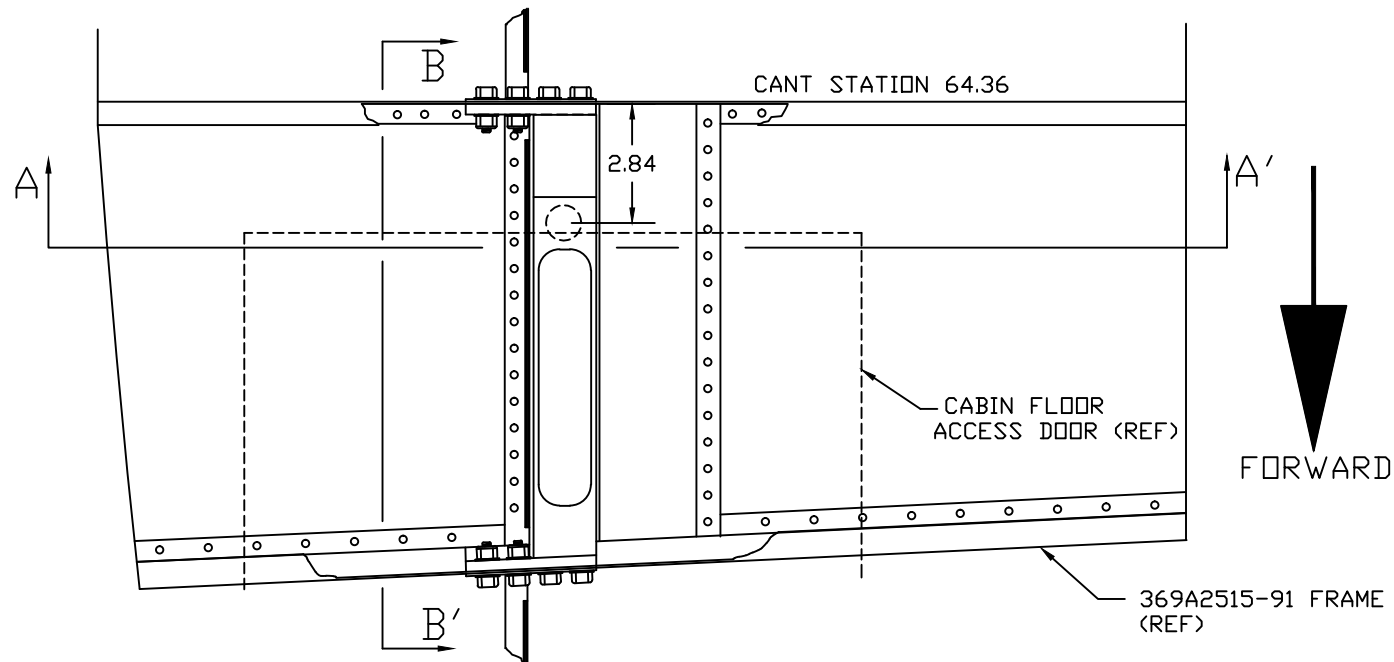
▲ HOLE CAN BE ENLARGED TO ALLOW A 0.03 INCH CLEARANCE AROUND LUG.

▲ SEAL USING MIL-S-8802F CLASS B2 SEALANT OR EQUIVALENT.

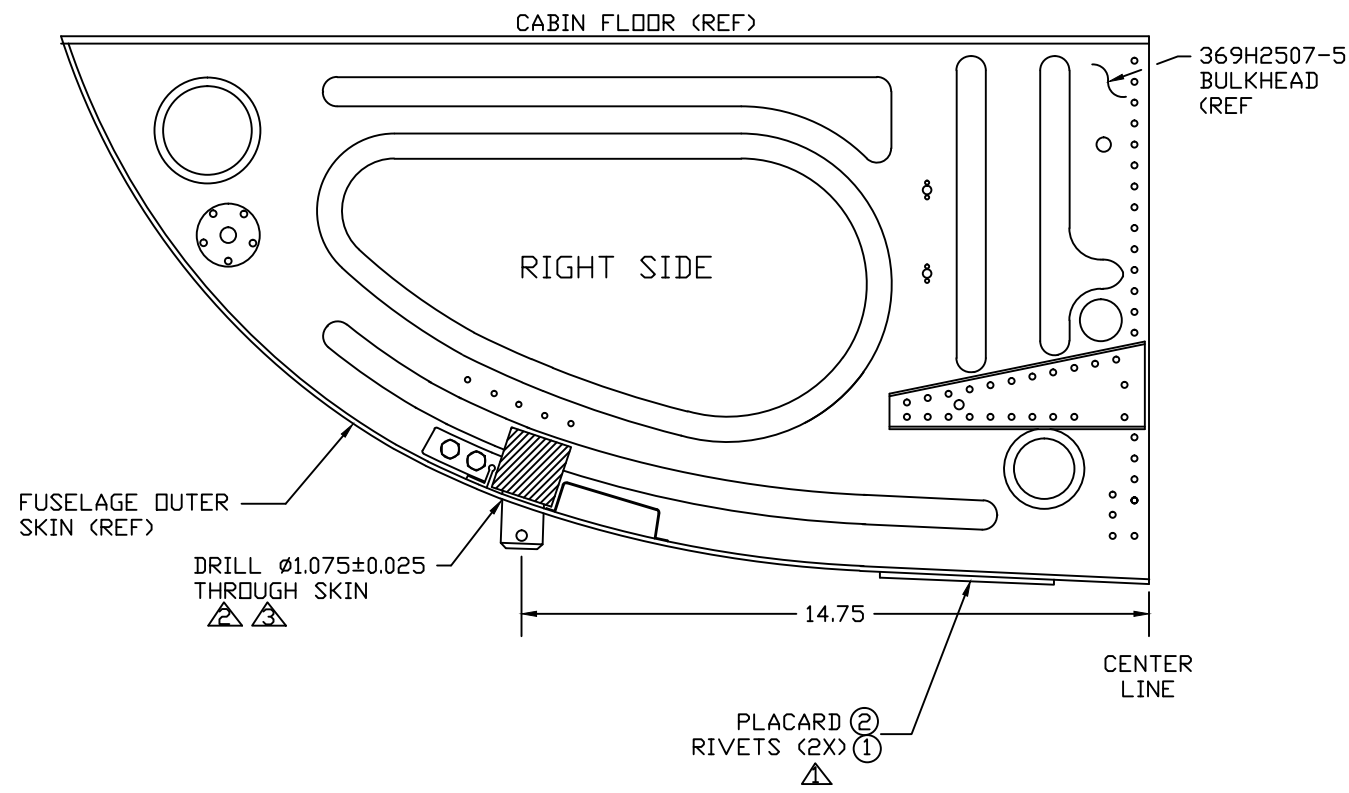
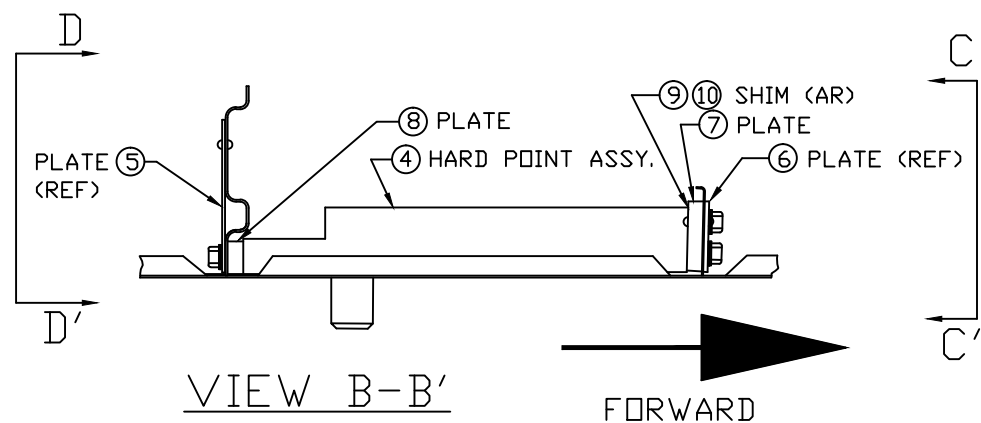
WEIGHT & BALANCE DATA:
369HP-100-1 INSTALLATION

INSTALLATION WEIGHT: 3.3 LBS
FUSELAGE STATION: 56.0 IN.
MOMENT: 184.8 IN-LBS

SHEET	REV	ECO	DATE	DESCRIPTION	APR	CHK
1,2	N/C	1	10/18/00	UPDATED FORMAT, ADDED NOTES 1-3, MOVED PART LISTINGS TO ITEM NUMBERED BOM.	MR	LS
1,2		2	06/08/07	ADDED ORIENTATION ARROW - VIEWS B-B', F-F' VIEW C-C' WAS D-D, VIEW D-D' WAS C-C CORRECTED COMPONENTS LOCATION VIEW H-H'		



-1 INSTALLATION RIGHT SIDE

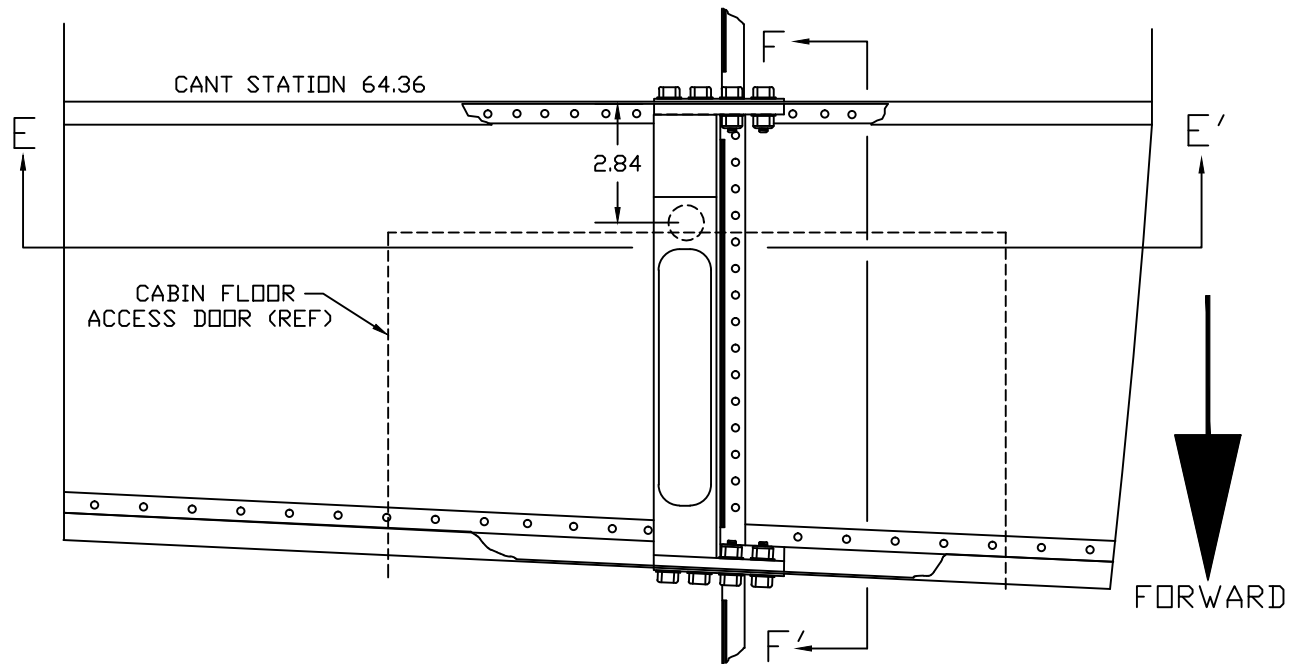


—CONFIDENTIAL INFORMATION—
THE INFORMATION AND DATA CONTAINED HEREIN IS PROPRIETARY AND IS SUBMITTED IN CONFIDENCE; AND SHALL NOT BE DISCLOSED, USED OR DUPLICATED FOR ANY PURPOSE WHATSOEVER WITHOUT THE PRIOR WRITTEN PERMISSION OF PARAVION TECHNOLOGY, INC.

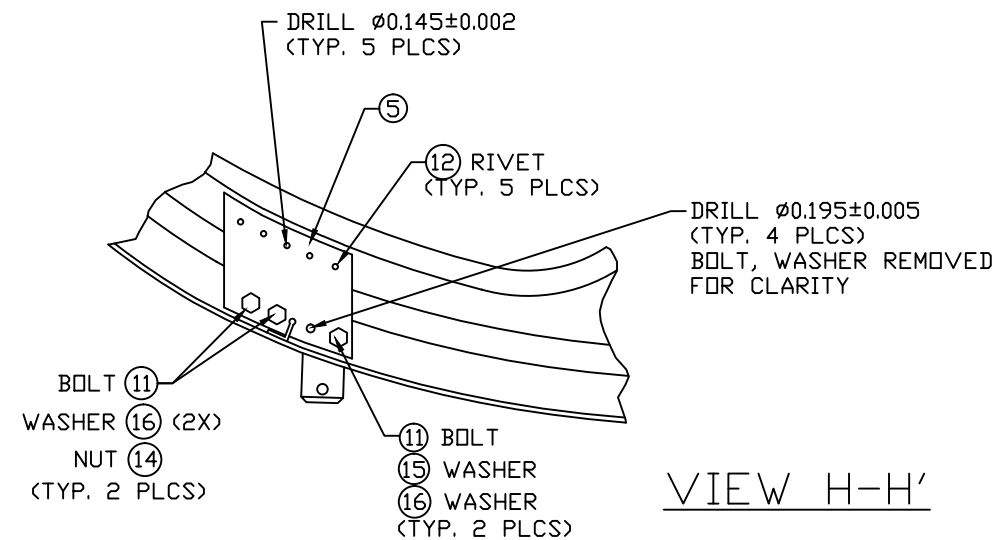
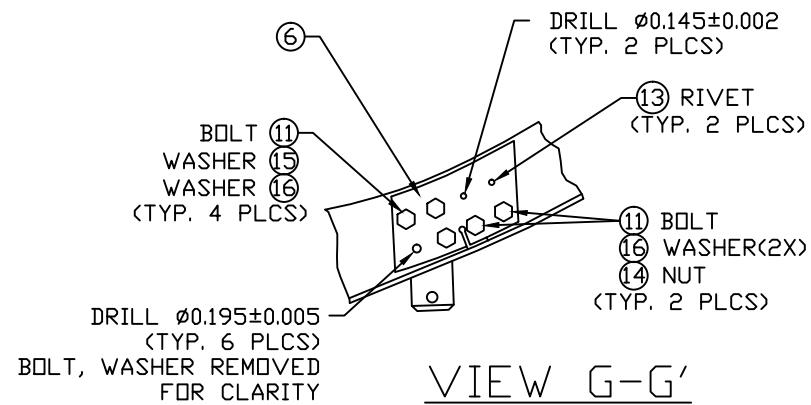
PROTO
N/C

Paravion [®] Technology Inc.		TITLE HARD POINT INSTALLATION		DRAWING NO. 369HP-100	
DIMENSIONS IN INCHES					
TOLERANCES EXCEPT WHERE NOTED:					
.X = ± .1		.XX = ± .05		.XXX = ± .010	
ANGLES = ± 1°					
DRAWN BY NLH	APRVD. BY REB	CHK'D BY REB	DATE 02/16/91	REV N/C	ECO 2
DO NOT SCALE DRAWING					SHEET 1 OF 2
© 2000 PARAVION TECH., INC. PARAVION IS A TRADEMARK OF PARAVION TECHNOLOGY, INC.					

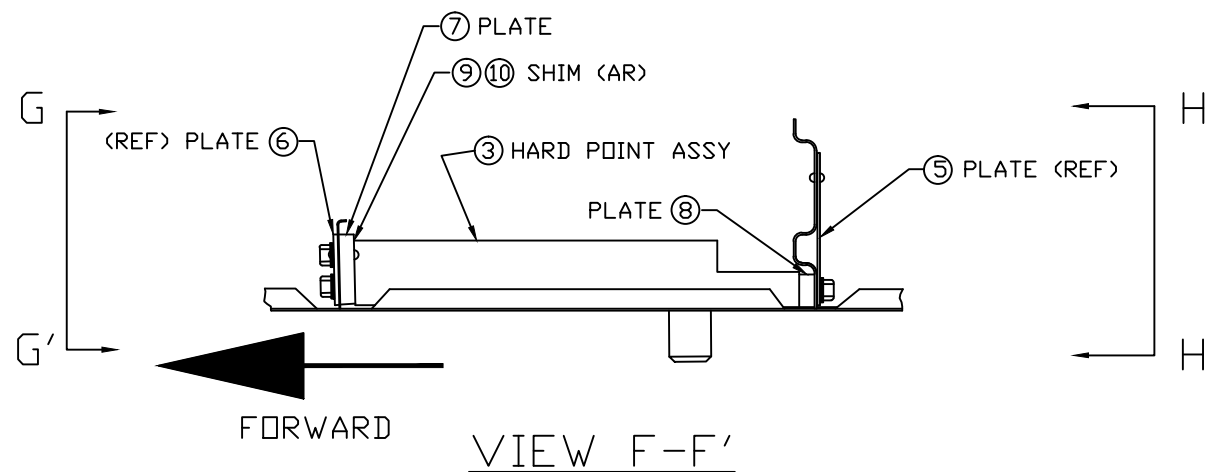
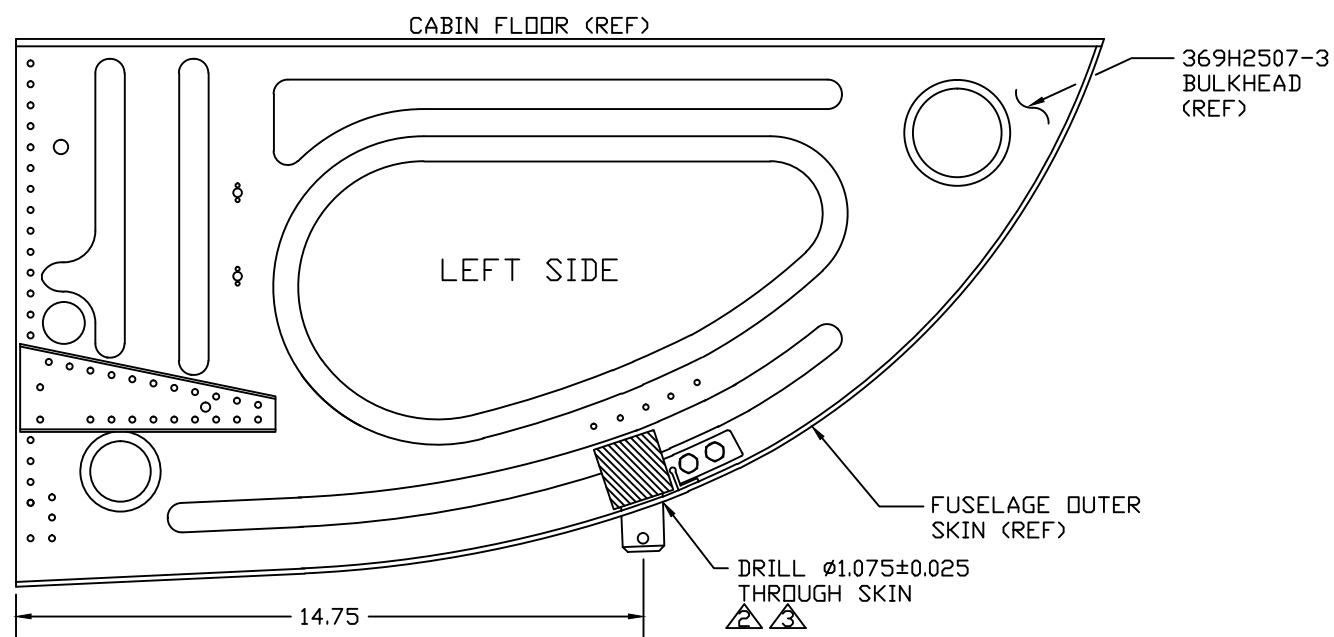
BREAK ALL SHARP EDGES



VIEWED FROM ABOVE



-1 INSTALLATION LEFT SIDE



BREAK ALL SHARP EDGES

-CONFIDENTIAL INFORMATION-
THE INFORMATION AND DATA CONTAINED HEREIN IS PROPRIETARY AND IS SUBMITTED IN CONFIDENCE; AND SHALL NOT BE DISCLOSED, USED OR DUPLICATED FOR ANY PURPOSE WHATSOEVER WITHOUT THE PRIOR WRITTEN PERMISSION OF PARAVION TECHNOLOGY, INC.

PROTO
N/C

Paravion [®] Technology Inc.		TITLE HARD POINT INSTALLATION			DRAWING NO. 369HP-100	
DIMENSIONS IN INCHES						
TOLERANCES EXCEPT WHERE NOTED:						
.X	=	±	.1	DRAWN BY	APRVD. BY	CHK'D BY
.XX	=	±	.05	NLH	REB	REB
.XXX	=	±	.010	ECO		
ANGLES = ± 1°			DATE	REV	ECO	
			02/16/91	N/C	2	
			10/18/00	DO NOT SCALE DRAWING		SHEET
			© 2000 PARAVION TECH., INC. PARAVION IS A TRADEMARK OF PARAVION TECHNOLOGY, INC.			2 OF 2