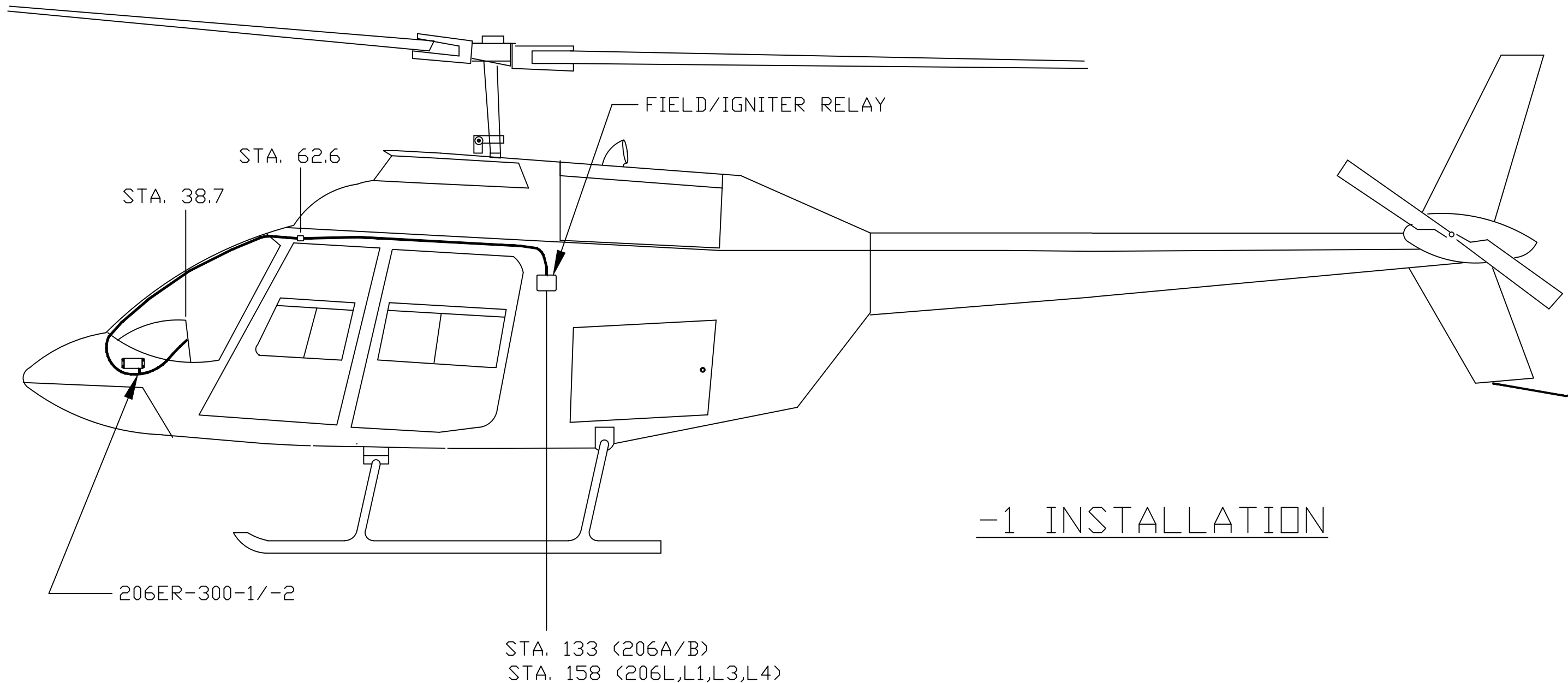


INSTALLATION	MODEL EFFECTIVITY	ELECTRICAL
206ER-100-1	206A/B, L, L1, L3, L4	206ER-300-1/-2

ECO	SHEET	REV	DATE	DESCRIPTION	APR	CHK
	1	A	11/22/00	CHG'D SUGGESTED TO REQUIRED IN NOTE		
	1, 2	B	01/31/02	ADDED -2 INSTALLATION, SHEET 2		



-1 INSTALLATION

NOTES:  
THE FOLLOWING SPARK IGNITER ASSEMBLIES ARE REQUIRED WITH THE ENGINE RELIGHT SYSTEM:

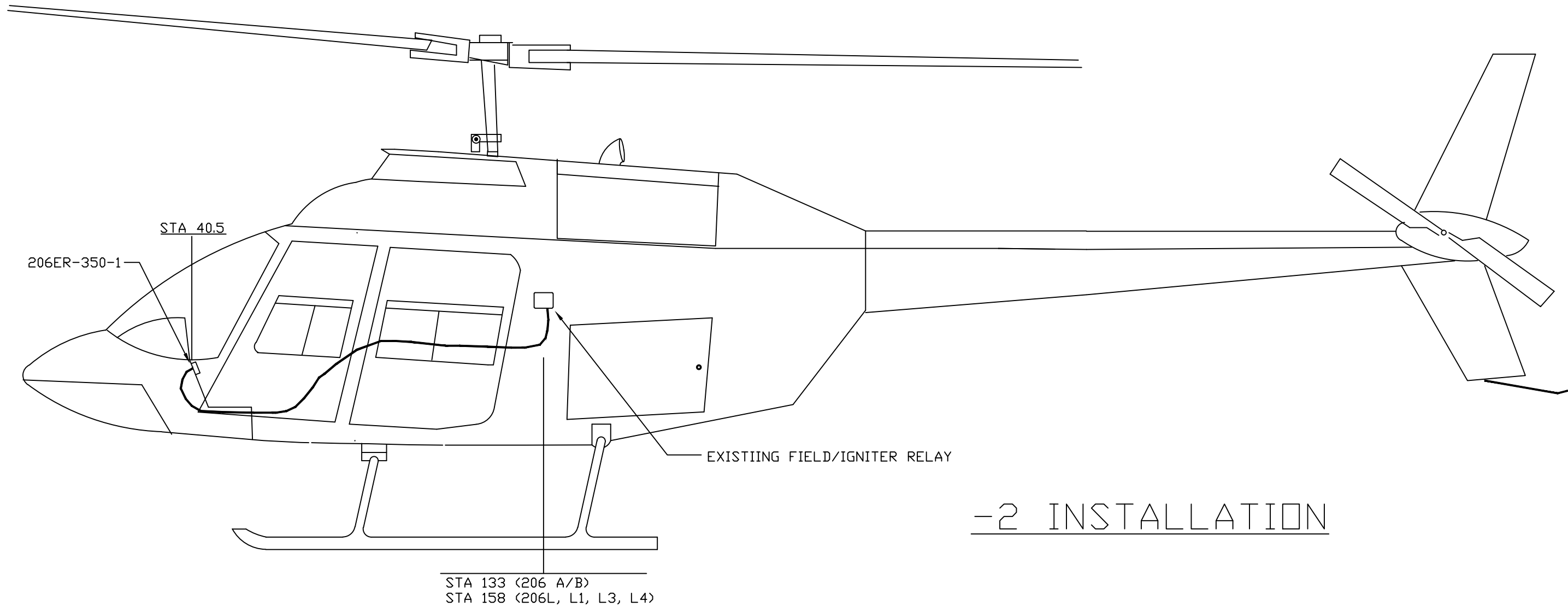
- 23006266 - FOR ALL C18 AND C20 ENGINES
- 23006267 - FOR ALL C28 AND C30 ENGINES

-CONFIDENTIAL INFORMATION-  
THE INFORMATION AND DATA CONTAINED HEREIN IS PROPRIETARY AND IS SUBMITTED IN CONFIDENCE; AND SHALL NOT BE DISCLOSED, USED OR DUPLICATED FOR ANY PURPOSE WHATSOEVER WITHOUT THE PRIOR WRITTEN PERMISSION OF PARAVION TECHNOLOGY, INC.

PROTO  
N/C

Paravion® Technology Inc.		TITLE SYSTEM CONFIGURATION		DRAWING NO. 206ER-100	
DIMENSIONS IN INCHES		DRAWN BY	APRVD. BY	CHK'D BY	DATE
TOLERANCES EXCEPT WHERE NOTED:		KRG	MR	LS	04/04/00
.X = ± .1		ECO		REV	ECO
.XX = ± .05		DO NOT SCALE DRAWING		B	
.XXX = ± .010		© 2000 PARAVION TECH., INC. PARAVION IS A TRADEMARK OF PARAVION TECHNOLOGY, INC.		SHEET 1 OF 2	
ANGLES = ± 1°					

INSTALLATION	MODEL EFFECTIVITY	ELECTRICAL
206ER-100-2	206A/B, L, L1, L3, L4	206ER-350-1



-2 INSTALLATION

NOTES:  
 THE FOLLOWING SPARK IGNITER ASSEMBLIES ARE REQUIRED  
 WITH THE ENGINE RELIGHT SYSTEM:  
 23006266 - FOR ALL C18 AND C20 ENGINES  
 23006267 - FOR ALL C28 AND C30 ENGINES

-CONFIDENTIAL INFORMATION-  
 THE INFORMATION AND DATA CONTAINED HEREIN  
 IS PROPRIETARY AND IS SUBMITTED IN CONFIDENCE;  
 AND SHALL NOT BE DISCLOSED, USED OR DUPLICATED  
 FOR ANY PURPOSE WHATSOEVER WITHOUT THE PRIOR  
 WRITTEN PERMISSION OF PARAVION TECHNOLOGY, INC.

PROTO  
 1

Paravion® Technology Inc.		TITLE SYSTEM CONFIGURATION		DRAWING NO. 206ER-100	
DIMENSIONS IN INCHES		DRAWN BY	APRVD. BY	CHK'D BY	DATE
TOLERANCES EXCEPT WHERE NOTED:		GP			01/31/02
.X = ± .1 .XX = ± .05 .XXX = ± .010		ECO			
ANGLES = ± 1°		DO NOT SCALE DRAWING			REV B
		© 2000 PARAVION TECH., INC. PARAVION IS A TRADEMARK OF PARAVION TECHNOLOGY, INC.			ECO
					SHEET 2 OF 2

# Bill of Materials

\*206ER-100-1, REV B

ITEM #	P/N	DESCRIPTION	QTY	TYP
0	*206ER-100-1, REV B	ENGINE RELIGHT INST'N	1	KIT
1	206ER-300-1/-2	ELECTRICAL INST'N	1	EA

---

# Bill of Materials

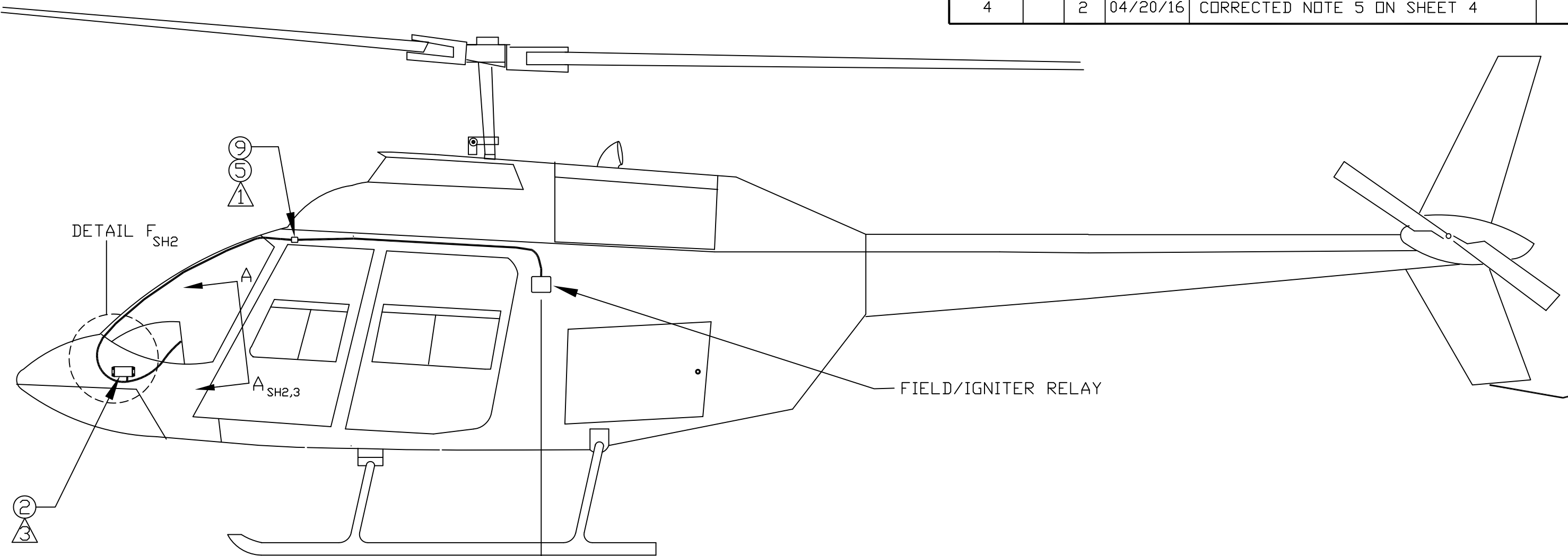
\*206ER-100-1, REV B

ITEM #	P/N	DESCRIPTION	QTY	TYP
0	*206ER-100-1, REV B	ENGINE RELIGHT INST'N	1	KIT
1	206ER-300-1/-2	ELECTRICAL INST'N	1	EA



- ① LOCATE BREAKER IN OVERHEAD CONSOLE, WIRE PER ELECTRICAL DIAGRAM.
- ② USE -2 INSTALLATION IF AN AMBER CAUTION LIGHT IS AVAILABLE IN THE INSTRUMENT PANEL.
- ③ LOCATE INSIDE INSTRUMENT CONSOLE IN AN ACCESSIBLE POSITION.

SHEET	REV	ECO	DATE	DESCRIPTION	APR	CHK
1-4	A		11/13/00	ALT. -2 WIRING CONF., ADDED WIRE TO GAS PRODUCER	MR	LS
1-4	B		03/28/01	ADDED GROUND TO RELIGHT BOX	MR	LS
1-4	C		02/12/02	SHT. 4 ADDED COMMENT FOR SWITCH ORIENTATION	GP	LS
1, 4		1	01/17/05	SH.4, CLARIFIED SWITCH CIRCUIT TO AVOID CONFUSION NO DESIGN OR COMPONENT CHG.	REB	LS
4		2	04/20/16	CORRECTED NOTE 5 ON SHEET 4		



FS 133 (206 A/B)  
 FS 158 (206L, L1, L3, L4))

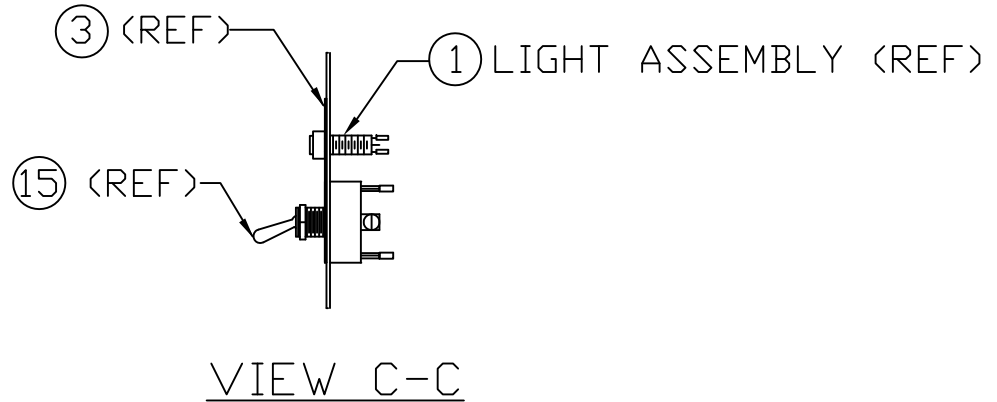
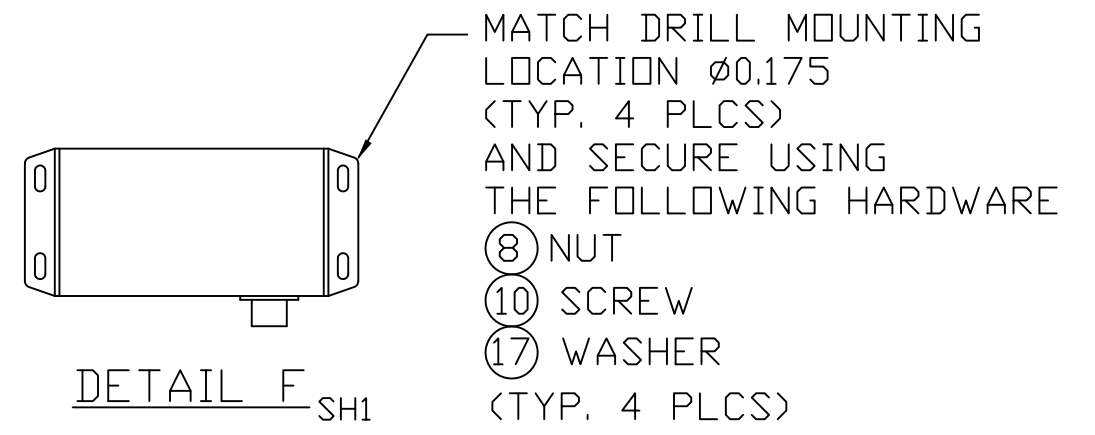
-1 INSTALLATION  
 -2 INSTALLATION ②

-CONFIDENTIAL INFORMATION-  
 THE INFORMATION AND DATA CONTAINED HEREIN IS PROPRIETARY AND IS SUBMITTED IN CONFIDENCE; AND SHALL NOT BE DISCLOSED, USED OR DUPLICATED FOR ANY PURPOSE WHATSOEVER WITHOUT THE PRIOR WRITTEN PERMISSION OF PARAVION TECHNOLOGY, INC.

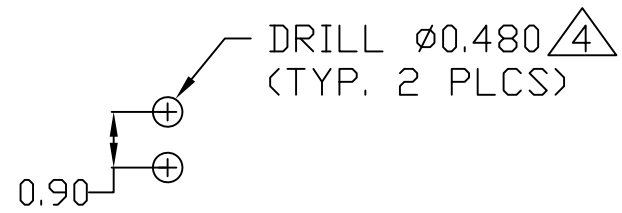
PROTO  
 N/C

Paravion® Inc. Technology		TITLE ELECTRICAL INSTALLATION		DRAWING NO. 206ER-300	
DIMENSIONS IN INCHES					
TOLERANCES EXCEPT WHERE NOTED:					
.X = ± .1		.XX = ± .05		.XXX = ± .010	
ANGLES = ± 1°					
DRWN BY KRG	APRVD. BY MR	CHK'D BY LS	DATE 04/04/00	REV C	ECO 2
DO NOT SCALE DRAWING				SHEET 1 OF 4	
© 2016 PARAVION TECH., INC. PARAVION IS A TRADEMARK OF PARAVION TECHNOLOGY, INC.					

4 LOCATE HOLES ON THE INSTRUMENT PANEL WITH EASY ACCESS TO THE PILOT AND IN FULL VIEW OF THE PILOT.

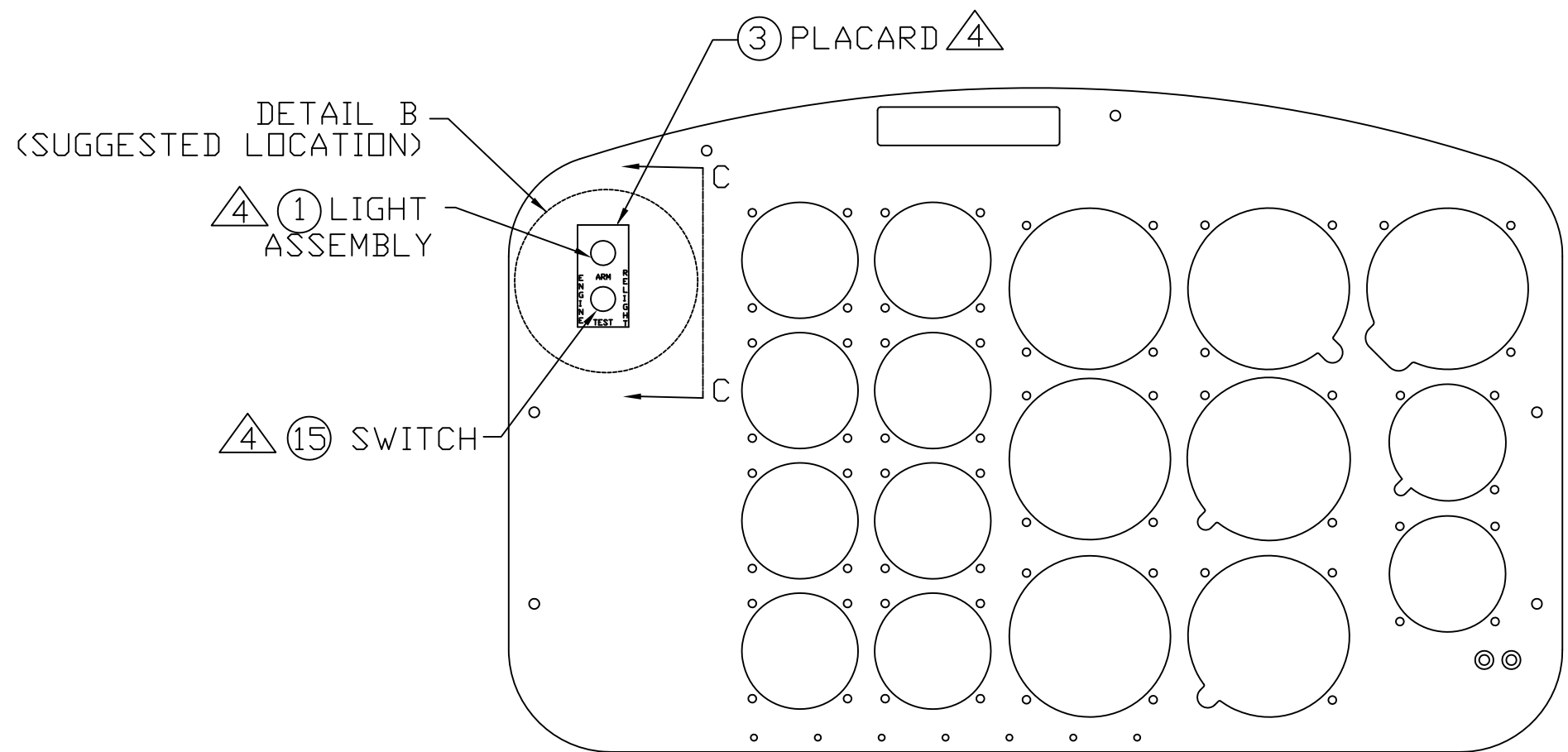


VIEW C-C



VIEW B

LIGHT, SWITCH, & PLACARD REMOVED



VIEW A-A SH1

# -1 INSTALLATION

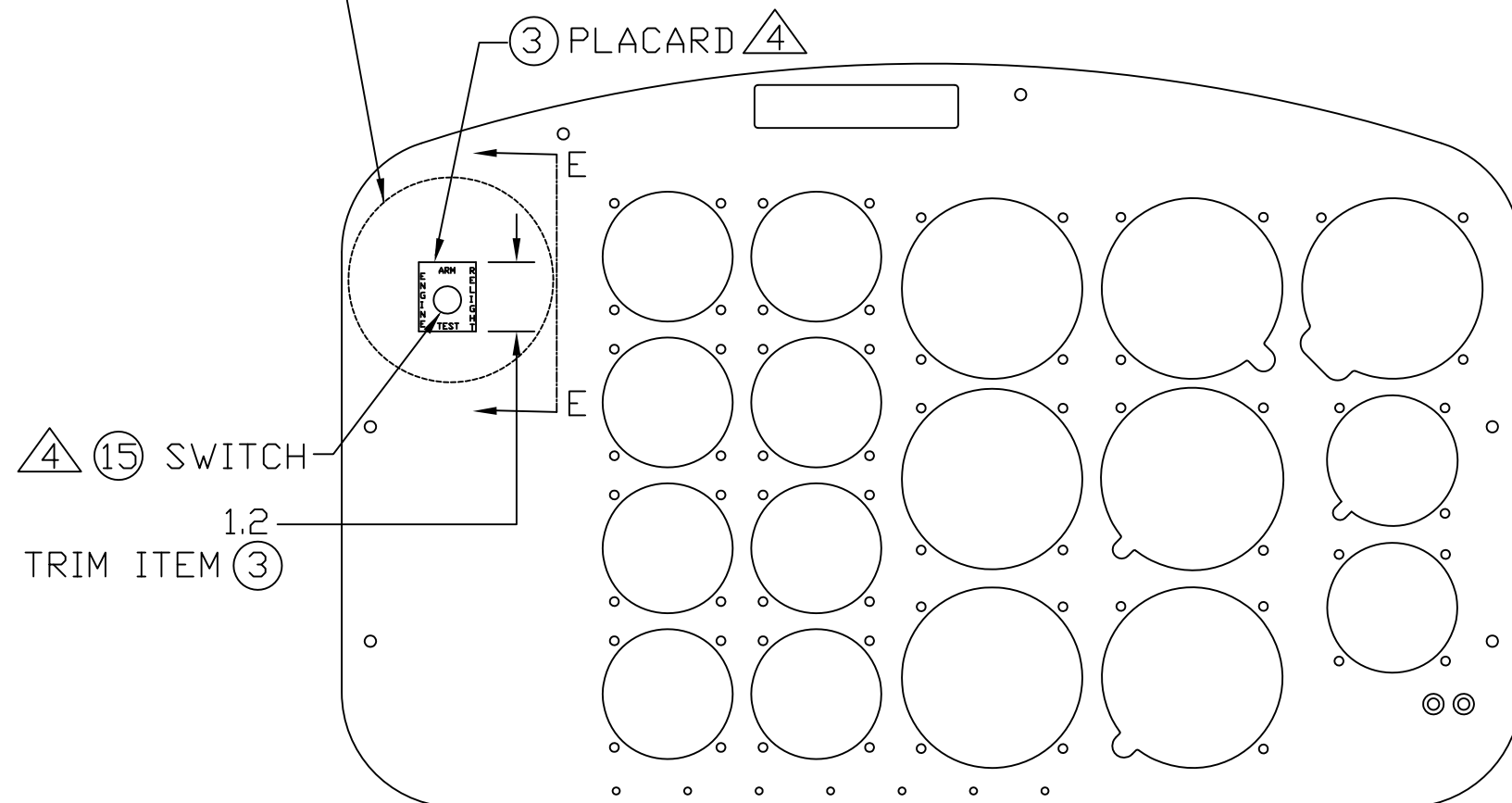
BREAK ALL SHARP EDGES

-CONFIDENTIAL INFORMATION-  
THE INFORMATION AND DATA CONTAINED HEREIN IS PROPRIETARY AND IS SUBMITTED IN CONFIDENCE; AND SHALL NOT BE DISCLOSED, USED OR DUPLICATED FOR ANY PURPOSE WHATSOEVER WITHOUT THE PRIOR WRITTEN PERMISSION OF PARAVION TECHNOLOGY, INC.

PROTO  
N/C

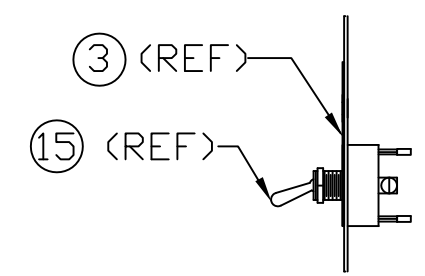
Paravion <sup>®</sup> Inc. Technology		TITLE ELECTRICAL INSTALLATION			DRAWING NO. 206ER-300		
DIMENSIONS IN INCHES							
TOLERANCES EXCEPT WHERE NOTED:							
.X = ± .1		DRAWN BY		APRVD. BY		CHK'D BY	
.XX = ± .05		KRG		LS		LS	
.XXX = ± .010		ECO		DATE		04/04/00	
ANGLES = ± 1°		DO NOT SCALE DRAWING				REV	ECO
© 2016 PARAVION TECH., INC. PARAVION IS A TRADEMARK OF PARAVION TECHNOLOGY, INC.						C	2
						SHEET 2 OF 4	

VIEW D  
(SUGGESTED LOCATION)



DRILL  $\varnothing 0.480$  (4)

VIEW D  
SWITCH, & PLACARD REMOVED



VIEW E-E

VIEW A-A SH1  
-2 INSTALLATION

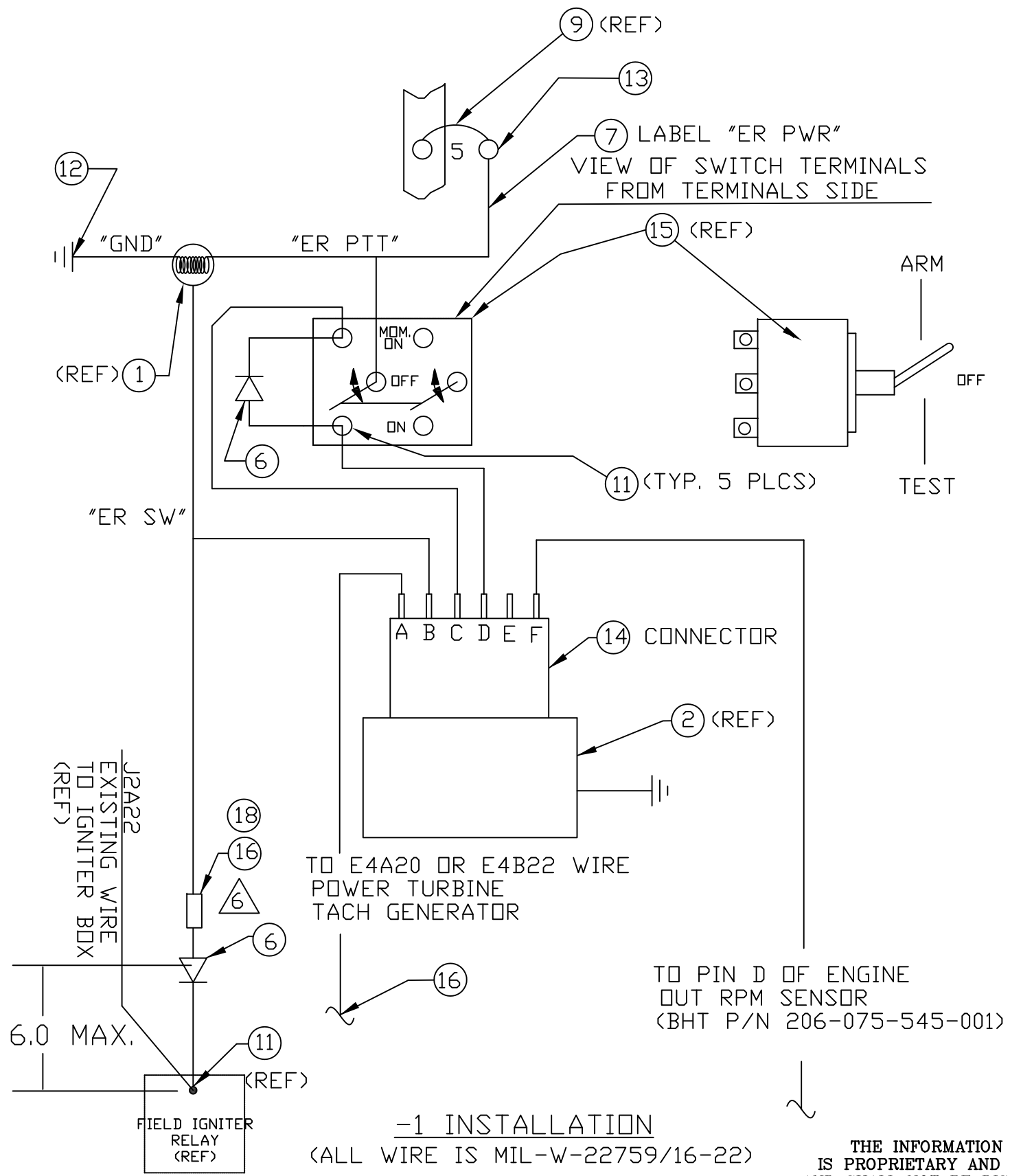
BREAK ALL SHARP EDGES

-CONFIDENTIAL INFORMATION-  
THE INFORMATION AND DATA CONTAINED HEREIN  
IS PROPRIETARY AND IS SUBMITTED IN CONFIDENCE;  
AND SHALL NOT BE DISCLOSED, USED OR DUPLICATED  
FOR ANY PURPOSE WHATSOEVER WITHOUT THE PRIOR  
WRITTEN PERMISSION OF PARAVION TECHNOLOGY, INC.

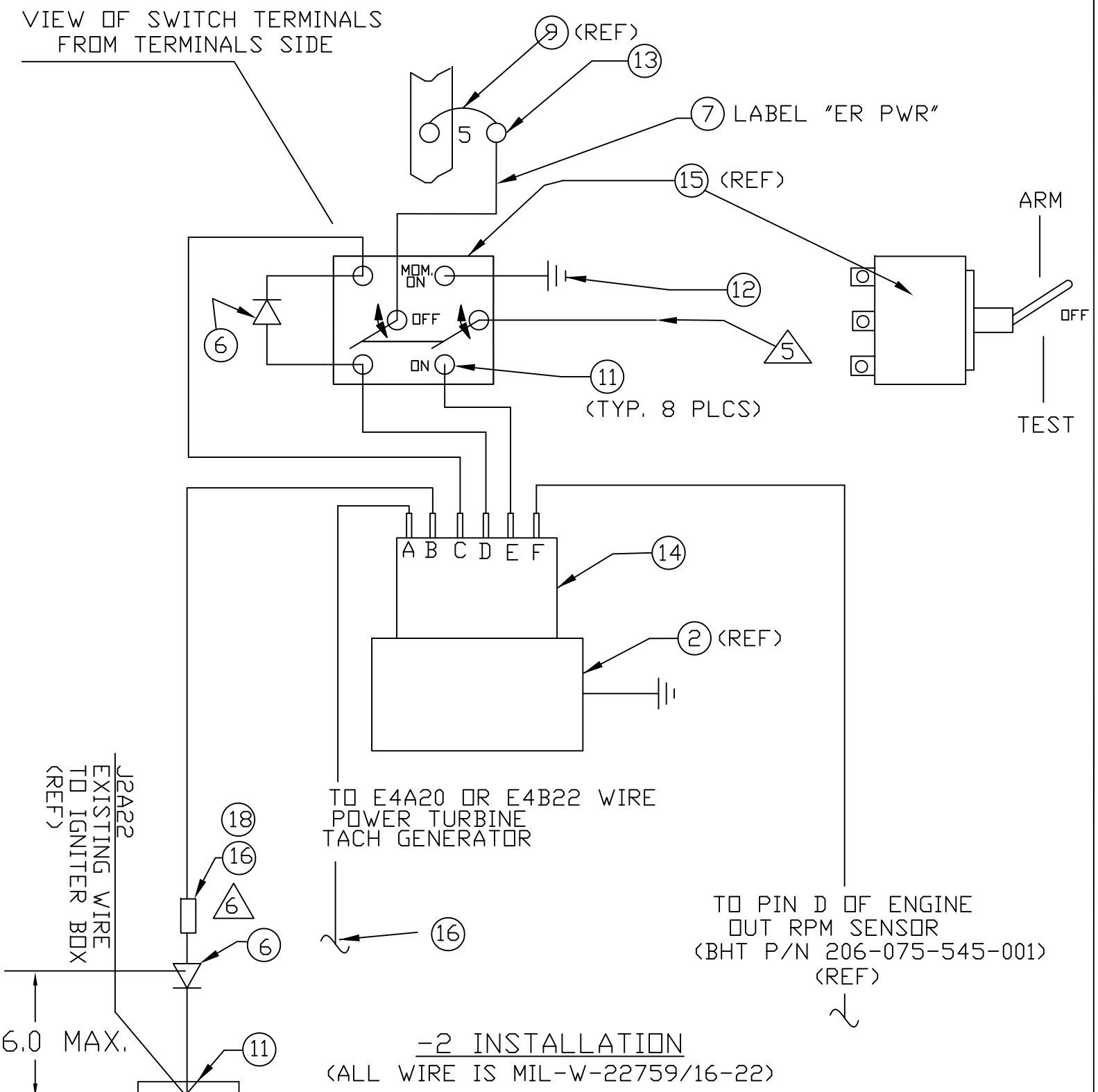
PROTO  
N/C

Paravion® Technology Inc.		TITLE ELECTRICAL INSTALLATION			DRAWING NO. 206ER-300	
DIMENSIONS IN INCHES						
TOLERANCES EXCEPT WHERE NOTED:						
.X	=	±	.1			
.XX	=	±	.05			
.XXX	=	±	.010			
ANGLES = ± 1°						
DRWN BY KRG	APRVD. BY MR	CHK'D BY LS	DATE 04/04/00	REV C	ECO 2	
ECO				DO NOT SCALE DRAWING		
© 2016 PARAVION TECH., INC. PARAVION IS A TRADEMARK OF PARAVION TECHNOLOGY, INC.				SHEET 3 OF 4		

- 5 28 VDC FROM AVAILABLE INSTRUMENT PANEL CAUTION LIGHT, AMBER LIGHT REQUIRED, ATTACH ITEM 4 (PLACARD) TO LIGHT COVER.
- 6 SOLDERING THE CONNECTION IS ACCEPTABLE IN PLACE OF THE BUTT SPLICE.



**-1 INSTALLATION**  
(ALL WIRE IS MIL-W-22759/16-22)



**-2 INSTALLATION**  
(ALL WIRE IS MIL-W-22759/16-22)

-CONFIDENTIAL INFORMATION-  
THE INFORMATION AND DATA CONTAINED HEREIN IS PROPRIETARY AND IS SUBMITTED IN CONFIDENCE; AND SHALL NOT BE DISCLOSED, USED OR DUPLICATED FOR ANY PURPOSE WHATSOEVER WITHOUT THE PRIOR WRITTEN PERMISSION OF PARAVION TECHNOLOGY, INC.

PROTO  
N/C

<b>Paravion® Inc.</b> Technology		TITLE ELECTRICAL INSTALLATION			DRAWING NO. 206ER-300	
DIMENSIONS IN INCHES						
TOLERANCES EXCEPT WHERE NOTED:						
.X	= ± .1	DRAWN BY		APRVD. BY	CHK'D BY	DATE
.XX	= ± .05	KRG	MR	LS		04/04/00
.XXX	= ± .010	ECO				
ANGLES = ± 1°						REV
DO NOT SCALE DRAWING						ECO
© 2016 PARAVION TECH., INC. PARAVION IS A TRADEMARK OF PARAVION TECHNOLOGY, INC.						SHEET
						4 OF 4



# Bill of Materials

\*206ER-300-1/-2, REV. C ECO2

ITEM #	P/N	DESCRIPTION	QTY	TYP
0	*206ER-300-1/-2, REV. C ECO2	ELECTRICAL INST'N	1	KIT
1	206ER-3000-1	LIGHT ASSEMBLY	1	EA
2	206ER-3100-1	ENGINE RELIGHT SENSOR ASSEMBLY	1	EA
3	206ER-5000-1	PLACARD	1	EA
4	206ER-5000-2	PLACARD	1	EA
5	206ER-5000-3	PLACARD	1	EA
6	ES50190-1	DIODE, 6 AMP, 100V	2	EA
7	MIL-W-22759/16-22	22 AWG WIRE	40	FT
8	MS21042L08	NUT	4	EA
9	MS26574-5	BREAKER (ALT: 7274-2-5)	1	EA
10	MS24693S50	SCREW	4	EA
11	MS25036-102	TERMINAL END	9	EA
12	MS25036-103	TERMINAL END	1	EA
13	MS25036-149	TERMINAL END	1	EA
14	MS3126E10-6P	TERMINAL PLUG	1	EA
15	MS35059-31	TOGGLE SWITCH, DPDT (ALT: MS24524-31)	1	EA
16	M7928/5-3	SPLICE	1	EA
17	NAS1149FN832P	WASHER	4	EA
18	M23053/5-102-0	POLYOLEFIN DIA. 1/16 (ALT: TSP1BK)	6	IN