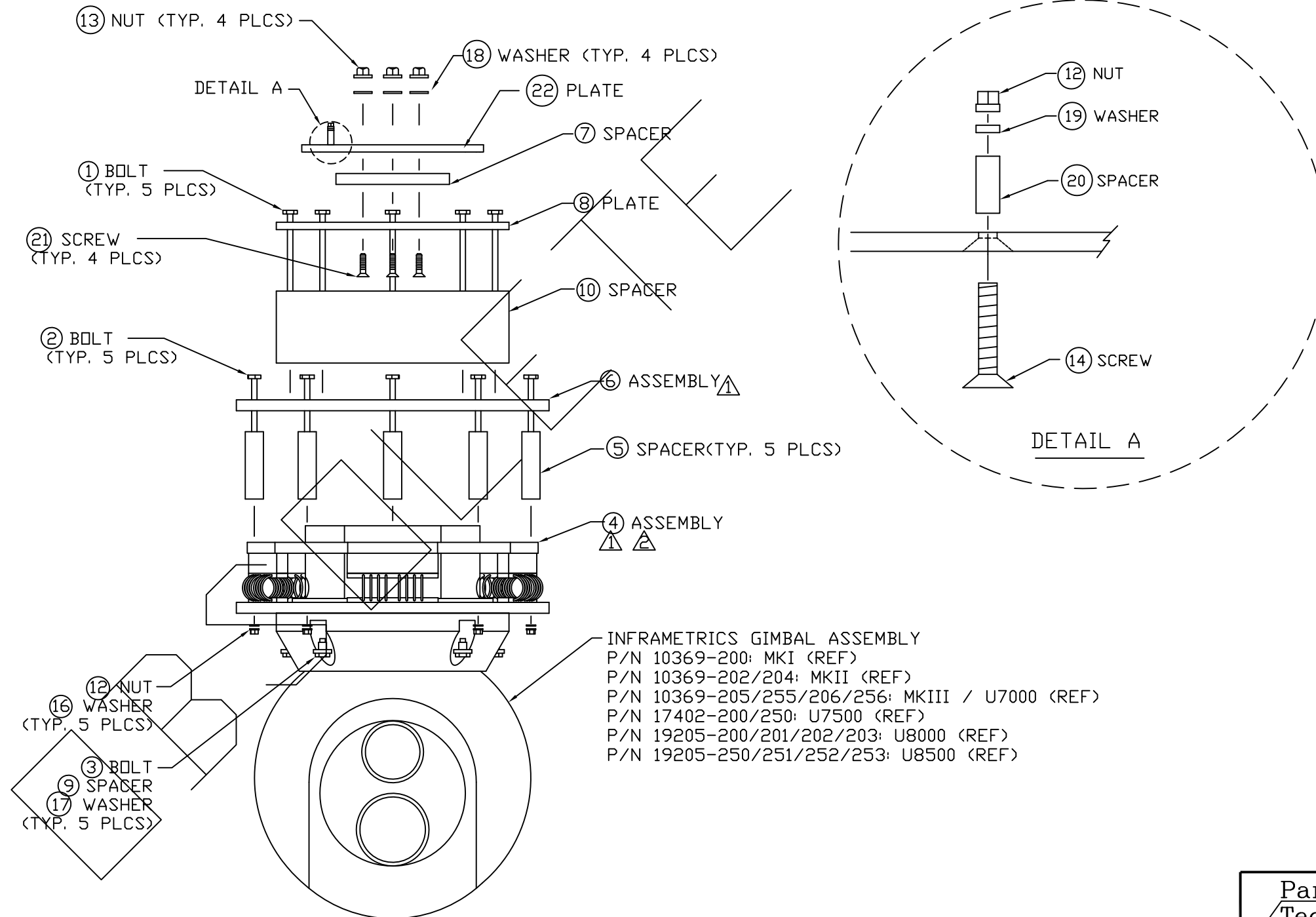


NOTES:
 1. POCKETED SIDE DOWN
 2. REMOVAL OF TOP PLATE REQUIRED TO FIT OVER ELECTRICAL CONNECTORS. RE-ASSEMBLE USING LOCKTITE #29021 OR EQUIV. WICKING GRADE THREAD LOCKER.

SHEET	REV	ECO	DATE	DESCRIPTION	APR	CHK
1	A		01/06/04	ADDED REFERENCE TO U8000 AND U8500	RJY	LS
1-3	B		03/05/04	ADDED -2 ASSEMBLY & PG 3	RJY	LS
1-3	C		10/20/04	UPDATED FORMAT, ADDED -3 ASSY.	REB	LS
1,2,3	D		07/31/09	ADDED NOTE, DETAIL A LOCATER,HIDDEN CUTOUT ITEM 10 SPACER	REB	LS
			01/22/2010	EXPANDED COMPONENT CHART, ADDED DETAIL B	REB	LS



INFRAMETRICS GIMBAL ASSEMBLY
 P/N 10369-200: MKI (REF)
 P/N 10369-202/204: MKII (REF)
 P/N 10369-205/255/206/256: MKIII / U7000 (REF)
 P/N 17402-200/250: U7500 (REF)
 P/N 19205-200/201/202/203: U8000 (REF)
 P/N 19205-250/251/252/253: U8500 (REF)

WEIGHT

GIMBAL MODEL	GIMBAL (LB)	GIMBAL ADAPTER ASSEMBLY (LB)	
		IR-420-1	IR-420-2
MK-I	28	37.1	36.2
MK-II	28	37.1	36.2
MK-III / U7000	26	35.1	34.2
U7500	26.4	35.5	34.6
U8000	29	38.1	37.2
U8500	29	38.1	37.2

BREAK ALL SHARP EDGES

-CONFIDENTIAL INFORMATION-
 THE INFORMATION AND DATA CONTAINED HEREIN IS PROPRIETARY AND IS SUBMITTED IN CONFIDENCE; AND SHALL NOT BE DISCLOSED, USED OR DUPLICATED FOR ANY PURPOSE WHATSOEVER WITHOUT THE PRIOR WRITTEN PERMISSION OF PARAVION TECHNOLOGY, INC.

PROTO
2

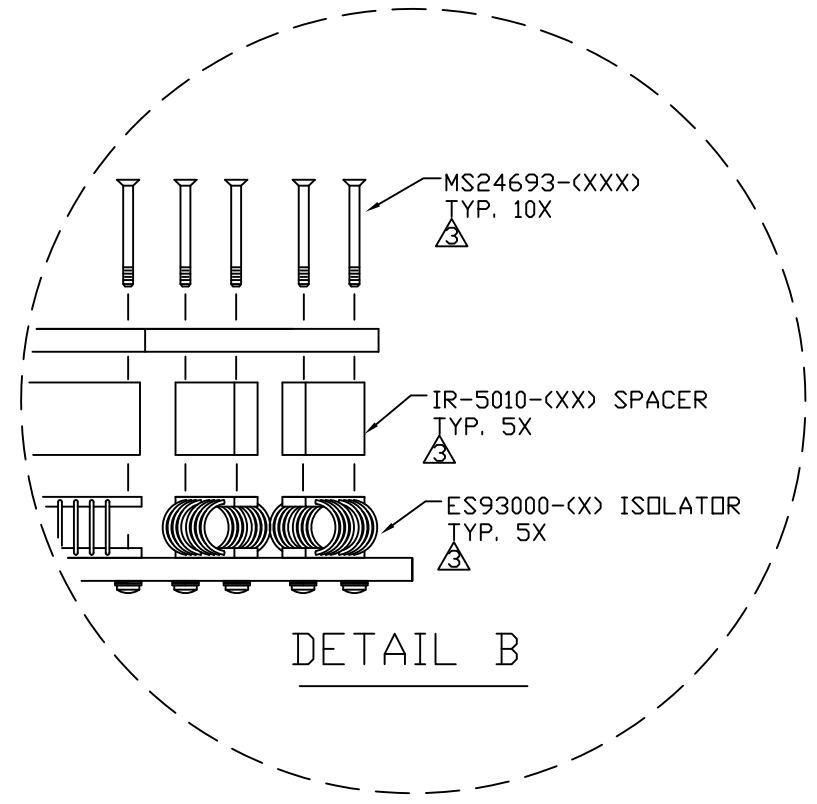
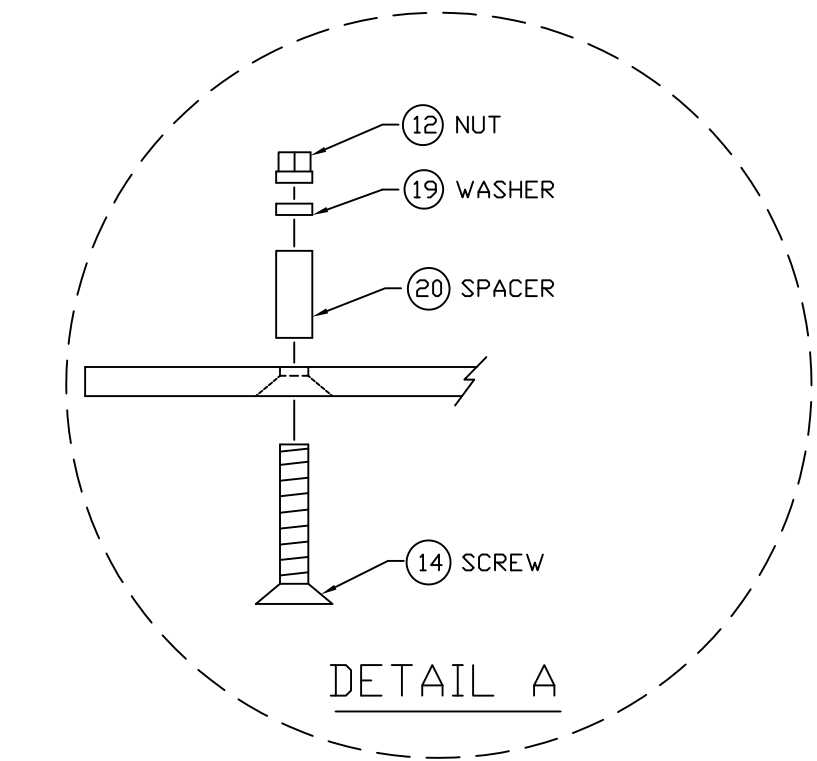
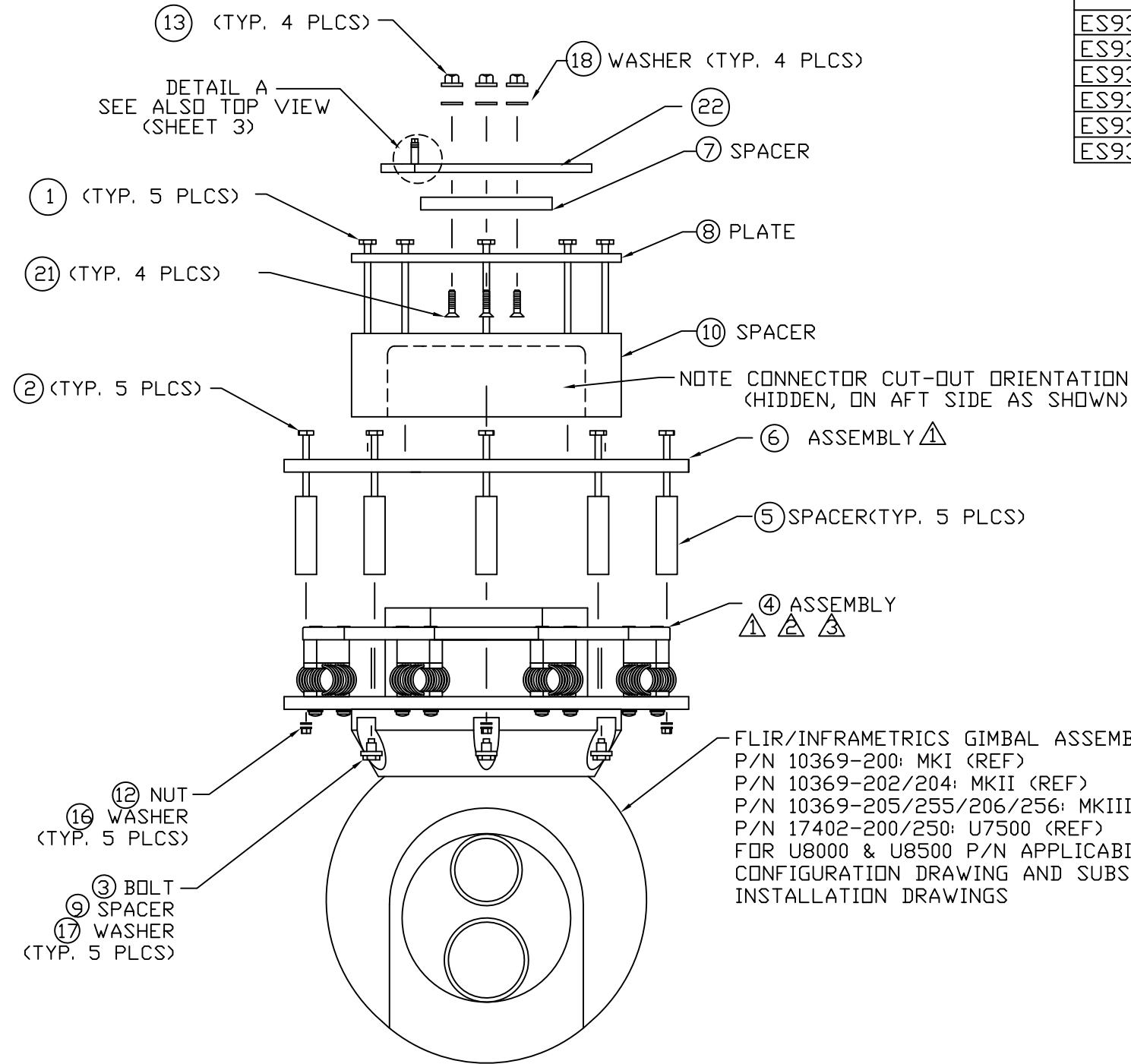
		TITLE			DRAWING NO.	
		ISOLATED GIMBAL ADAPTER			IR-420	
DIMENSIONS IN INCHES						
TOLERANCES EXCEPT WHERE NOTED:						
.X = ± .1		.XX = ± .05		.XXX = ± .010		
ANGLES = ± 1°						
DRAWN BY	APRVD. BY	CHK'D BY	DATE	REV	ECO	
RJY	RJY	LS	09/10/03	D		
DO NOT SCALE DRAWING					SHEET	
© 2008 PARAVION TECH, INC. PARAVION IS A TRADEMARK OF PARAVION TECHNOLOGY, INC.					1 OF 3	

NOTES:

- 1. POCKETED SIDE DOWN
- 2. REMOVAL OF TOP PLATE REQUIRED TO FIT OVER ELECTRICAL CONNECTORS. RE-ASSEMBLE USING LOCKTITE #29021 OR EQUIV. WICKING GRADE THREAD LOCKER.
- 3. INTERCHANGE ISOLATORS, SPACERS, AND APPROPRIATE SCREWS AS NECESSARY ACCORDING TO CHART.

3. ISOLATOR, SPACER, AND SCREW MUST BE MATCHED AS FOLLOWS:
SEE DETAIL B

ISOLATOR	SPACER	SCREW
ES93000-1	IR-5010-15	MS24693-S60
ES93000-2	IR-5010-16	MS24693-S60
ES93000-3	IR-5010-17	MS24693-S58
ES93000-4	IR-5010-18	MS24693-S58
ES93000-5	IR-5010-19	MS24693-S56
ES93000-6	IR-5010-20	MS24693-S55



-2/-3 ASSEMBLY

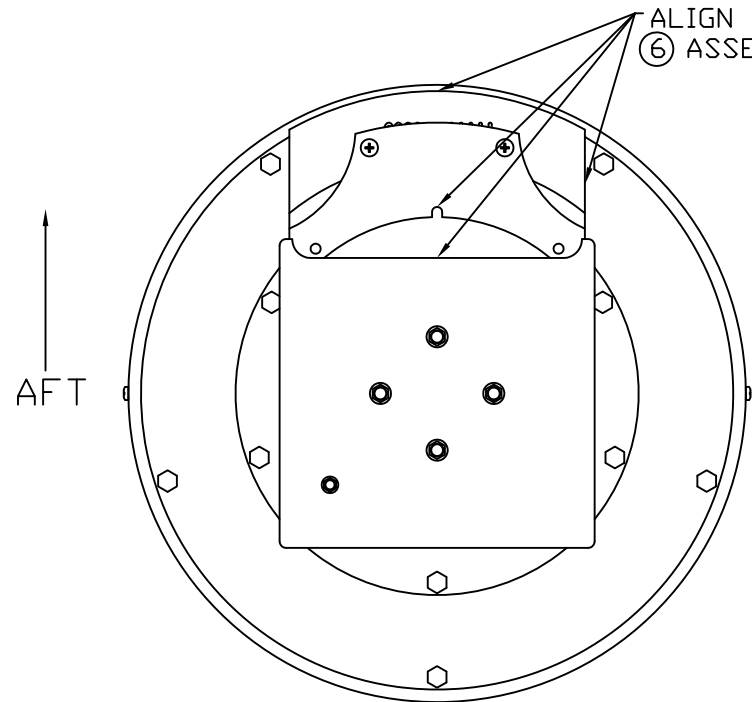
BREAK ALL SHARP EDGES

-CONFIDENTIAL INFORMATION-
THE INFORMATION AND DATA CONTAINED HEREIN IS PROPRIETARY AND IS SUBMITTED IN CONFIDENCE; AND SHALL NOT BE DISCLOSED, USED OR DUPLICATED FOR ANY PURPOSE WHATSOEVER WITHOUT THE PRIOR WRITTEN PERMISSION OF PARAVION TECHNOLOGY, INC.

PROTO
2

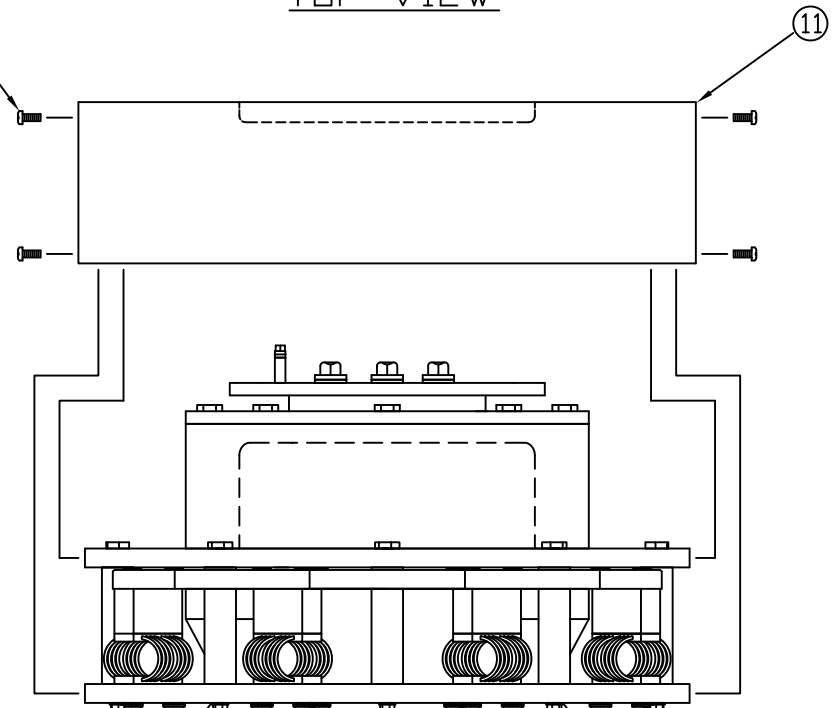
Paravion® Inc. Technology		TITLE ISOLATED GIMBAL ADAPTER			DRAWING NO. IR-420	
DIMENSIONS IN INCHES						
TOLERANCES EXCEPT WHERE NOTED:						
.X = ± .1		.XX = ± .05		.XXX = ± .010		
ANGLES = ± 1°						
BY RJV	APRVD. RJV	CHK'D LS	DATE 09/10/03	REV D	ECO	
DO NOT SCALE DRAWING					SHEET 2 OF 3	
© 2008 PARAVION TECH., INC. PARAVION IS A TRADEMARK OF PARAVION TECHNOLOGY, INC.						

ALIGN NOTCHES IN ④ ASSEMBLY WITH CUTOUTS IN ⑥ ASSEMBLY, ⑩ SPACER, ⑪ COVER, ⑫ PLATE.

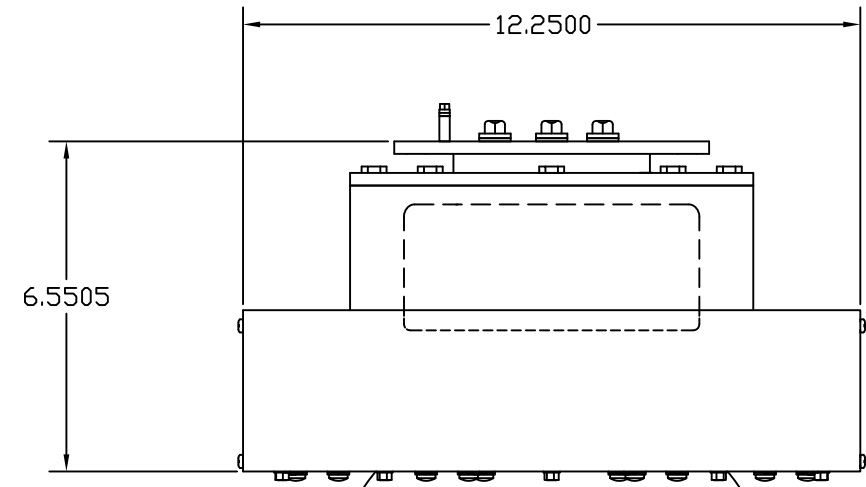


TOP VIEW

⑮ SCREW
(TYP. 4 PLCS)



FRONT VIEW



ASSEMBLED FRONT VIEW

-1 (OBSOLETE)/-2/-3 ASSEMBLY

BREAK ALL SHARP EDGES

-CONFIDENTIAL INFORMATION-
THE INFORMATION AND DATA CONTAINED HEREIN
IS PROPRIETARY AND IS SUBMITTED IN CONFIDENCE;
AND SHALL NOT BE DISCLOSED, USED OR DUPLICATED
FOR ANY PURPOSE WHATSOEVER WITHOUT THE PRIOR
WRITTEN PERMISSION OF PARAVION TECHNOLOGY, INC.

PROTO
2

		TITLE ISOLATED GIMBAL ADAPTER		DRAWING NO. IR-420	
DIMENSIONS IN INCHES TOLERANCES EXCEPT WHERE NOTED:		DRAWN BY RJY	APRVD. BY RJY	CHK'D BY LS	DATE 10/21/03
.X = ± .1 .XX = ± .05 .XXX = ± .010 ANGLES = ± 1°		DO NOT SCALE DRAWING			REV D
		© 2008 PARAVION TECH., INC. PARAVION IS A TRADEMARK OF PARAVION TECHNOLOGY, INC.			SHEET 3 OF 3

Bill of Materials

*IR-420-2, REV. D

ITEM #	P/N	DESCRIPTION	QTY	TYP
0	*IR-420-2, REV. D	ISOLATED GIMBAL ADAPTER KIT	1	KIT
1	AN3-30A	BOLT	5	EA
2	AN3-32A	BOLT	5	EA
3	AN3-6A	BOLT	5	EA
4	IR-5010-2	ISOLATOR ASSY	1	EA
5	IR-5011-10	SPACER	5	EA
6	IR-5012-2	PLATE ASSY	1	EA
7	IR-607-1	SPACER	1	EA
8	IR-610-1	PLATE	1	EA
9	IR-620-1	BUSHING	5	EA
10	IR-630-3	SPACER	1	EA
11	IR-640-2	COVER	1	EA
12	MS21042L3	NUT	6	EA
13	MS21042L4	NUT	4	EA
14	MS24693S277	SCREW	1	EA
15	MS35206-228	SCREW	4	EA
16	NAS1149D0316J	WASHER	5	EA
17	NAS1149D0363J	WASHER	5	EA
18	NAS1149D0463J	WASHER	4	EA
19	NAS1149F0332P	WASHER	1	EA
20	NAS43DD3-32	SPACER	1	EA
21	MS24693S300	SCREW	4	EA
22	SX5-606-1	PLATE	1	EA

Bill of Materials

*IR-420-3, REV. D

ITEM #	P/N	DESCRIPTION	QTY	TYP
0	*IR-420-3, REV. D	ISOLATED GIMBAL ADAPTER KIT	1	KIT
1	AN3-30A	BOLT	5	EA
2	AN3-32A	BOLT	5	EA
3	AN3-6A	BOLT	5	EA
4	IR-5010-2	ISOLATOR ASSY	1	EA
5	IR-5011-10	SPACER	5	EA
6	IR-5012-2	PLATE ASSY	1	EA
7	IR-607-1	SPACER	1	EA
8	IR-610-1	PLATE	1	EA
9	IR-620-1	BUSHING	5	EA
10	IR-630-3	SPACER	1	EA
11	IR-640-2	COVER	1	EA
12	MS21042L3	NUT	6	EA
13	MS21042L4	NUT	4	EA
14	MS24693S277	SCREW	1	EA
15	MS35206-228	SCREW	4	EA
16	NAS1149D0316J	WASHER	5	EA
17	NAS1149D0363J	WASHER	5	EA
18	NAS1149D0463J	WASHER	4	EA
19	NAS1149F0332P	WASHER	1	EA
20	NAS43DD3-32	SPACER	1	EA
21	MS24693S300	SCREW	4	EA
22	SX5-606-3	PLATE	1	EA