

Bill of Materials

*350MM-110-1/-2, REV. A

ITEM #	P/N	DESCRIPTION	QTY	TYP
0	*350MM-110-1/-2, REV. A	MONITOR MOUNT INST'N	1	KIT
1	AN3-14A	BOLT	2	EA.
2	MM-170-1	MOUNT ASSY.	1	EA.
3	MS21042L3	NUT	2	EA.
4	NAS1149D0332J	WASHER	4	EA.

INSTALLATION INSTRUCTIONS:

1. CHOOSE -1 (LEFT SIDE) OR -2 (RIGHT SIDE) MONITOR MOUNT INSTALLATION. REMOVE PLASTIC COVER FROM INSTRUMENT CONSOLE SUPPORT IF INSTALLED.
2. LOCATE MOUNT ASSEMBLY UNDER SUPPORT REFERENCE DRAWING. MATCH DRILL SUPPORT TO MOUNTING HOLES IN MOUNT BRACKET.
3. INSTALL MOUNT ASSEMBLY WITH INDICATED HARDWARE. REPLACE COVER.
4. REVISE AIRCRAFT WEIGHT AND BALANCE TO REFLECT MONITOR MOUNT INSTALLATION. MAKE APPROPRIATE LOGBOOK ENTRY.

SHEET	REV	ECO	DATE	DESCRIPTION	APR	CHK
1,2	A		08/18/06	MATCH-DRILL SUPPORT WAS Ø0.190, REVISED TO INDICATE NOTES 1., 2., 3 ADDED AS350B3 APPROVAL		

NOTES:

1. THIS INSTALLATION IS APPROVED FOR THE FOLLOWING HELICOPTER MODELS:
AS350C
AS350D,D1
AS350B,B1,B2
AS350B3
AS350BA
2. MAXIMUM MONITOR WEIGHT = 5 LB
3. TORQUE BOLTS TO 20-25 IN-LBS.

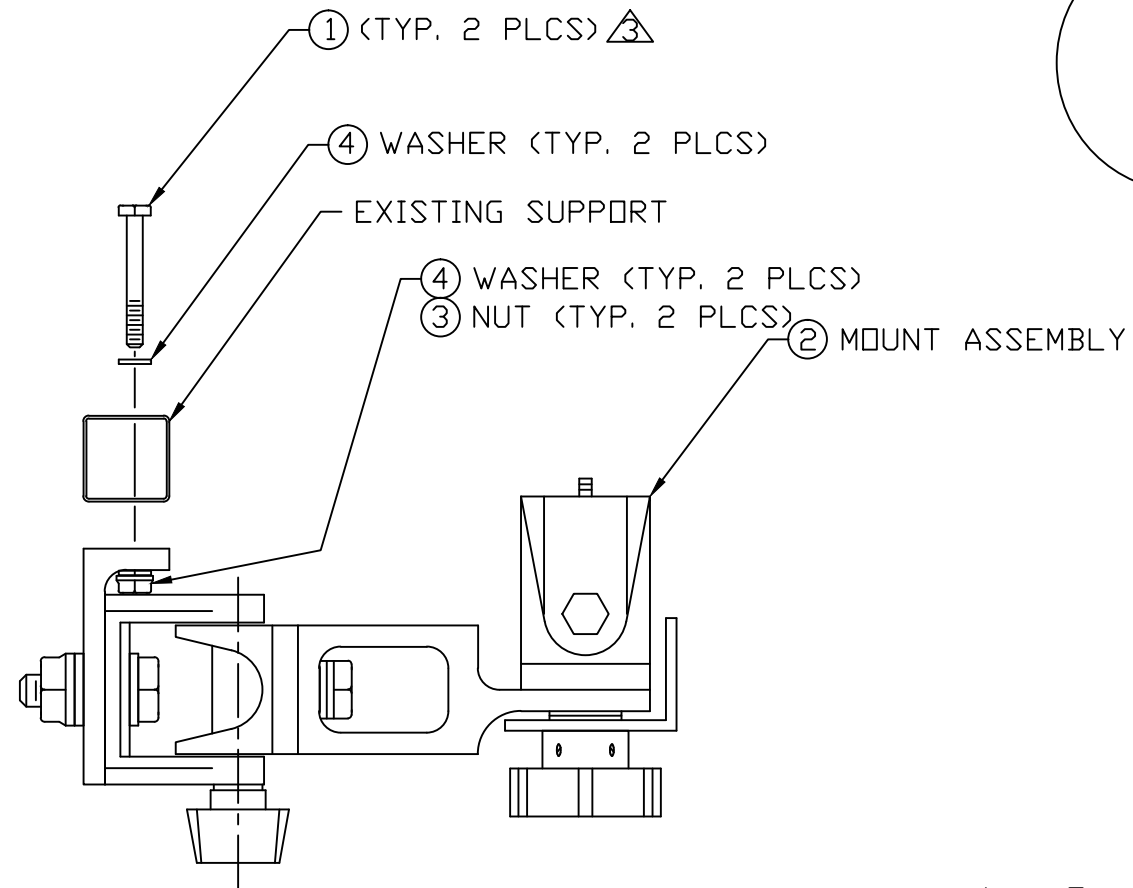
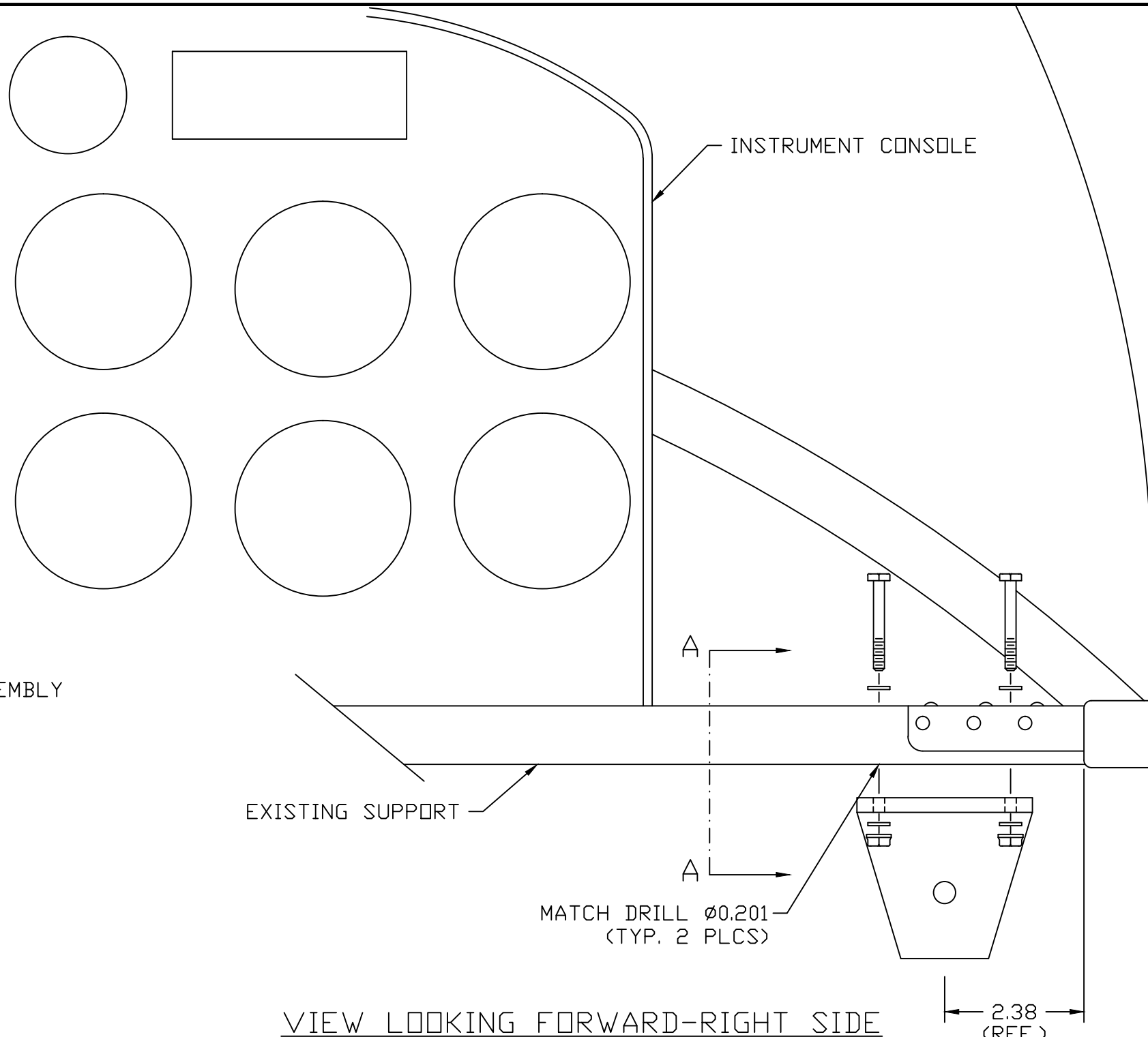
WEIGHT AND BALANCE DATA:

350MM-110-1, -2 INSTALLATION: 1.5 LB.
LONGITUDINAL STATION: 40.5 INCHES
LATERAL STATION: -26.0 INCHES; -1 INSTALLATION
+26.0 INCHES; -2 INSTALLATION

-CONFIDENTIAL INFORMATION-
THE INFORMATION AND DATA CONTAINED HEREIN
IS PROPRIETARY AND IS SUBMITTED IN CONFIDENCE;
AND SHALL NOT BE DISCLOSED, USED OR DUPLICATED
FOR ANY PURPOSE WHATSOEVER WITHOUT THE PRIOR
WRITTEN PERMISSION OF PARAVION TECHNOLOGY, INC.

PROTO
N/C

Paravion® Technology Inc.		TITLE MONITOR MOUNT INSTALLATION		DRAWING NO. 350MM-110	
DIMENSIONS IN INCHES					
TOLERANCES EXCEPT WHERE NOTED:					
		DRAWN BY	APRVD. BY	CHK'D BY	DATE
		RHSM	REB	REB	04/15/93
DO NOT SCALE DRAWING					REV
					A
					ECO
ANGLES = ± 1°					SHEET
© 2000 PARAVION TECH., INC. PARAVION IS A TRADEMARK OF PARAVION TECHNOLOGY, INC.					1 OF 2



SECTION A-A

VIEW LOOKING FORWARD-RIGHT SIDE

-1,-2 INSTALLATION

- 1 INSTALLATION (LEFT SIDE)
- 2 INSTALLATION (RIGHT SIDE, SHOWN)

BREAK ALL SHARP EDGES

-CONFIDENTIAL INFORMATION-
 THE INFORMATION AND DATA CONTAINED HEREIN
 IS PROPRIETARY AND IS SUBMITTED IN CONFIDENCE;
 AND SHALL NOT BE DISCLOSED, USED OR DUPLICATED
 FOR ANY PURPOSE WHATSOEVER WITHOUT THE PRIOR
 WRITTEN PERMISSION OF PARAVION TECHNOLOGY, INC.

PROTO
 N/C

Paravion® Inc. Technology		TITLE MONITOR MOUNT INSTALLATION			DRAWING NO. 350MM-110	
		DIMENSIONS IN INCHES TOLERANCES EXCEPT WHERE NOTED: .X = ± .1 .XX = ± .05 .XXX = ± .010 ANGLES = ± 1°	DRAWN BY RHSM	APRVD. BY REB	CHK'D BY BR	DATE 04/15/93
DO NOT SCALE DRAWING						SHEET 2 OF 2
© 2000 PARAVION TECH., INC. PARAVION IS A TRADEMARK OF PARAVION TECHNOLOGY, INC.						