

**PARAVION TECHNOLOGY, INC.
2001 AIRWAY AVENUE
FT. COLLINS, COLORADO 80524**

REPORT NO. PR-407SB-120M

INSTRUCTIONS FOR CONTINUED AIRWORTHINESS

FOR ROTARY LATCH SEAT BELT SYSTEM

FOR

BELL MODEL 407, MODEL 206

Cover
PR-407SB-120M
Rev 0, 09/26/07

THIS PAGE INTENTIONALLY LEFT BLANK

RECORD OF REVISIONS

REVISION NO.	ISSUE DATE	DATE INSERTED	BY
ORIGINAL	09/26/07	09/26/07	PTI
1	11/02/07	11/02/07	PTI
2	11/30/07		

This document accepted by Ft. Worth AEG

REVISION CONTROL PROCEDURE

Revisions to this document are mailed to owner of record. Before inserting a change, ensure this manual is correct. Check the existing List of Effective Pages in this manual to ensure that all prior revisions are inserted. **Do not insert this revision if prior revisions are not inserted.**

LIST OF EFFECTIVE PAGES

PAGE NO.	REVISION	DATE
COVER	2	11/30/07
i	2	11/30/07
ii	2	11/30/07
iii	2	11/30/07
1	0	09/26/07
2	2	11/30/07
3	2	11/30/07
4	2	11/30/07

These Instructions for Continued Airworthiness (ICA) except for the Airworthiness Limitations Section have been reviewed and found to comply with the applicable requirements of Appendix A to the Federal Aviation Regulations Part 27.

TABLE OF CONTENTS

<u>Item</u>	<u>Page</u>
Record of Revisions	i
List of Effective Pages	ii
Table of Contents	iii
Airworthiness Limitations	1
1.0 System Description	4
2.0 Inspection and Maintenance	4
3.0 Component Removal and Replacement	4
4.0 Recommended Installation Torque	4
5.0 Annual/Periodic Inspection Checklist	4

LIST OF FIGURES

<u>Figure</u>	<u>Page</u>
1 Seat Belt Assembly	2

THIS PAGE INTENTIONALLY LEFT BLANK

AIRWORTHINESS LIMITATIONS

The Airworthiness Limitations Section is FAA approved and specifies inspections and other maintenance required under §§ 43.16 and 91.403 of the Federal Aviation Regulations unless an alternative program has been FAA approved.

No airworthiness limitation associated with this type design change.

This system has no life-limited components.

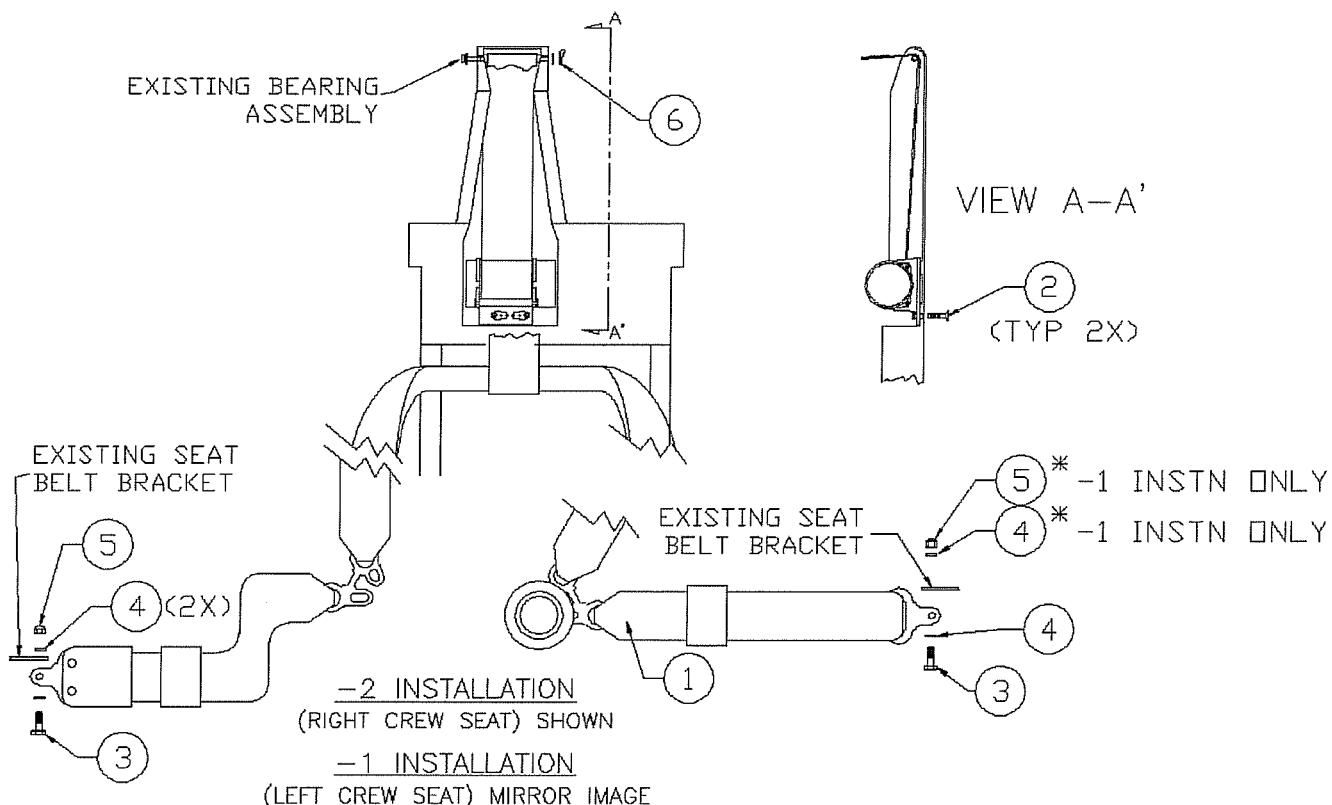


FIGURE 1: SEAT BELT ASSEMBLY (Bell 407 INSTALLATION SHOWN)

*NOTE: Refer to applicable aircraft Illustrated Parts Manual as needed

407SB-100-1 INST'N – PARTS LISTING; LEFT CREW SEAT, BELL 407

<u>ITEM</u>	<u>P/N</u>	<u>DESCRIPTION</u>	<u>QTY</u>	<u>TYP</u>
1	ES09200-1	Seat Belt Assembly (Left Crew Seat)	1	EA
2	MS24694-S54	Screw	2	EA
3	NAS6204-5	Bolt (REF.)	2	EA
4	NAS1149F0463P	Washer (REF.)	4	EA
5	90-003-4	Nut (REF.)	2	EA
6	MS24665-151	Cotter Key	1	EA

407SB-100-2 INST'N – PARTS LISTING; RIGHT CREW SEAT, BELL 407

<u>ITEM</u>	<u>P/N</u>	<u>DESCRIPTION</u>	<u>QTY</u>	<u>TYP</u>
1	ES09200-2	Seat Belt Assembly (Right Crew Seat)	1	EA
2	MS24694-S54	Screw	2	EA
3	NAS6204-5	Bolt (REF.)	2	EA
4	NAS1149F0463P	Washer (REF.)	3	EA
5	90-003-4	Nut (REF.)	1	EA
6	MS24665-151	Cotter Key	1	EA

206SB-100-1 INST'N – PARTS LISTING; LEFT CREW SEAT, BELL 206B S/N 3122 - SUBS
206L-SERIES, S/N 45601 – SUBS

<u>ITEM</u>	<u>P/N</u>	<u>DESCRIPTION</u>	<u>QTY</u>	<u>TYP</u>
1	ES09206-1	Seat Belt Assembly (Left Crew Seat)	1	EA.
2	MS24694-S52	Screw (REF.)	4	EA
3	NAS6204-6	Bolt (REF.)	2	EA
4	NAS1149F0463P	Washer (REF.)	4	EA
5	90-003-4	Nut (REF.)	2	EA

206SB-100-2 INST'N – PARTS LISTING; RIGHT CREW SEAT, BELL 206B S/N 3122 – SUBS
206L-SERIES, S/N 45601 – SUBS

<u>ITEM</u>	<u>P/N</u>	<u>DESCRIPTION</u>	<u>QTY</u>	<u>TYP</u>
1	ES09206-2	Seat Belt Assembly (Right Crew Seat)	1	EA.
2	MS24694-S52	Screw (REF.)	4	EA
3	NAS6204-6	Bolt (REF.)	2	EA
4	NAS1149F0463P	Washer (REF.)	4	EA
5	90-003-4	Nut (REF.)	2	EA

206SB-100-3 INST'N – PARTS LISTING; LEFT CREW SEAT, BELL 206A/B with 206-706-119-1 KIT

<u>ITEM</u>	<u>P/N</u>	<u>DESCRIPTION</u>	<u>QTY</u>	<u>TYP</u>
1	ES09206-3	Seat Belt Assembly (Left Crew Seat)	1	EA.
2	MS27039-1-08	Screw (REF.)	4	EA
3	NAS6204-6	Bolt (REF.)	2	EA
4	NAS1149F0463P	Washer (REF.)	4	EA
5	90-003-4	Nut (REF.)	2	EA

206SB-100-4 INST'N – PARTS LISTING; RIGHT CREW SEAT, BELL 206A/B with 206-706-119-1 KIT

<u>ITEM</u>	<u>P/N</u>	<u>DESCRIPTION</u>	<u>QTY</u>	<u>TYP</u>
1	ES09206-4	Seat Belt Assembly (Right Crew Seat)	1	EA.
2	MS27039-1-08	Screw (REF.)	4	EA
3	NAS6204-6	Bolt (REF.)	2	EA
4	NAS1149F0463P	Washer (REF.)	4	EA
5	90-003-4	Nut (REF.)	2	EA

1.0 SYSTEM DESCRIPTION

The seat belt installation, detailed on drawing 407SB-200, replaces OEM crew seat belt/shoulder harness assembly with Paravion Technology, Inc. Seat Belt Assembly in model 407 and model 206 aircraft. Attaching hardware may be re-used based on condition. Refer to applicable Bell Maintenance instructions for removal and installation procedures.

2.0 INSPECTION AND MAINTENANCE

Refer to applicable Bell Maintenance instructions.

3.0 COMPONENT REMOVAL AND REPLACEMENT

Refer to applicable Bell maintenance instructions. Original Equipment Restraint Assemblies for model 407 aircraft are replaced with Paravion Technology, Inc. P/N ES09200-1(Left) or P/N ES09200-2(Right). Original Equipment Restraint Assemblies for model 206 aircraft are replaced with Paravion Technology, Inc. P/N ES09206-1(Left) or P/N ES09206-2(Right). Restraint Assemblies for aircraft with installed kit Number 206-706-119-1 Shoulder Harness upgrade are replaced with Paravion Technology, Inc. P/N ES09206-3(Left) or P/N ES09206-4(Right).

4.0 RECOMMENDED INSTALLATION TORQUE

NAS6204 bolts, Lap Belt Installation: 75-95 in.-lb. (Ref. BHT-ALL-SPM)
MS24694S54, MS24693S-52 Screws, Shoulder Harness Inertia Reel Installation: 12-15 in.-lb. (Ref. BHT-ALL-SPM)

5.0 ANNUAL/PERIODIC INSPECTION CHECKLIST

INSPECTION		COMMENTS, CORRECTIVE ACTION
1.	ATTACHING HARDWARE	ASSURE PROPER INSTALLATION RE-TORQUE OR REPLACE AS NECESSARY
2.	RESTRAINTS CONDITION	ASSURE THAT BELTING AND ATTACHMENT TO BRACKETS/ BUCKLE IS NOT CUT OR FRAYED REPLACE IF NECESSARY