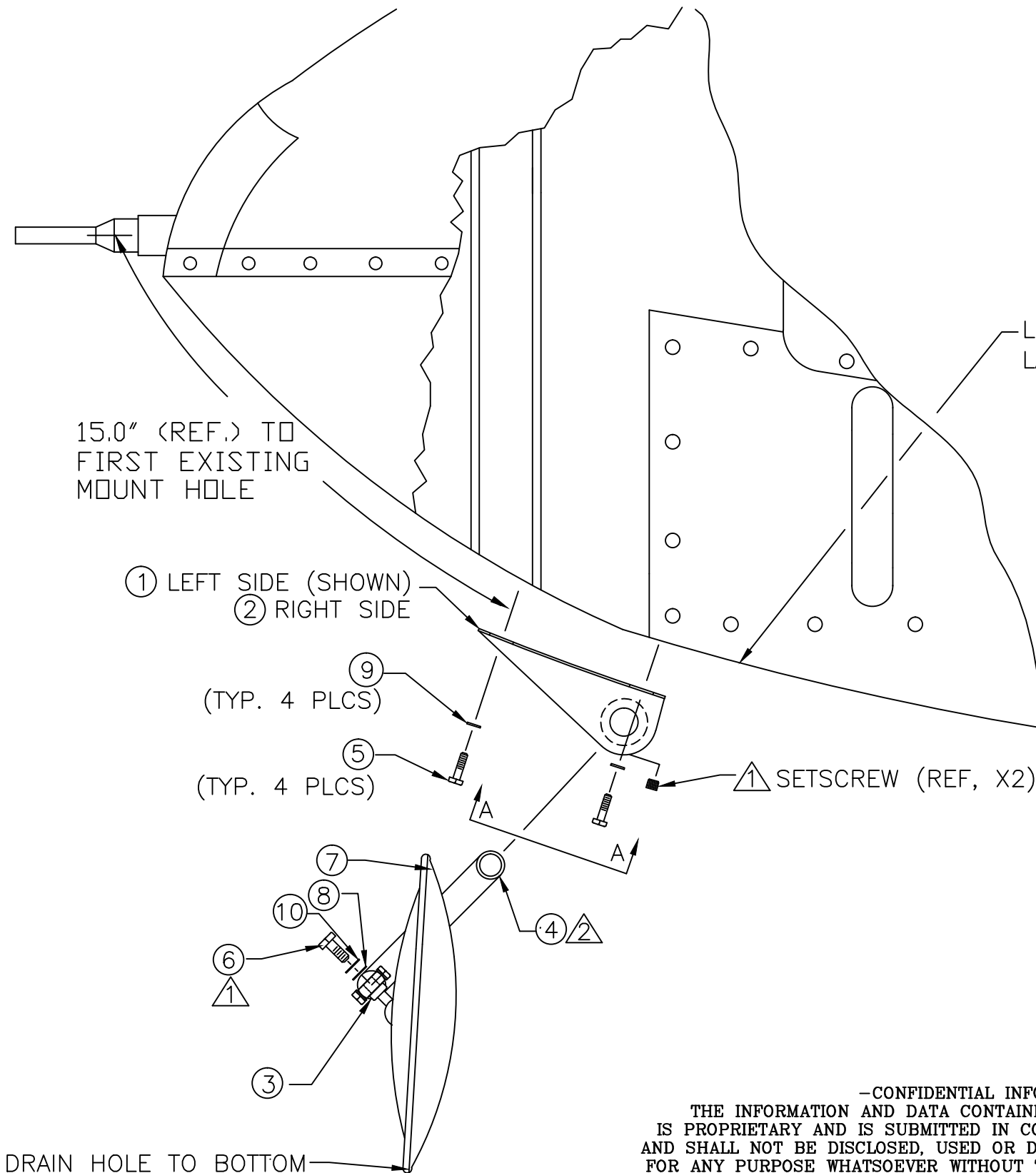


① INSTALL USING LOCTITE PRODUCT 242 OR EQUIVALENT.

② SLIDE 206EM-1010-1 ARM ASSEMBLY INTO 206EM-1000-1,-2 BRACKETS. CENTER ARM IN BRACKETS. TIGHTEN SET SCREWS IN BRACKET COLLARS. ADHERE PLASTIC CAP TO OPEN END OF ARM ASSEMBLY USING PERMATEX QUICK GEL 81778 OR EQUIVALENT.

SHEET	REV	ECO	DATE	DESCRIPTION	APR	CHK
1	A		09/01/93	9753K52 CAP WAS L-6 PLUG	REB	REB
1	B		07/27/94	ADDED MS35333-41, AN960-516L, AND AN5-6A, DELETED Ø0.19	REB	REB
1,2	C		02/07/03	ADDED -2 INSTALLATION. LOCTITE 242 WAS 81792.	GP	LS
1		1	12/23/08	③ -2 INST'N WAS 206EM1010-2	REB	CEH
1,2		2	05/07/09	NOTE ②, REF. TO 206EM1010-2 REMOVED		



WEIGHT AND BALANCE DATA:
 TOTAL ASSEMBLY WEIGHT: 2.1 LBS.
 LONGITUDINAL MOMENT: ±32.6 IN.-LBS.

REVISE AIRCRAFT WEIGHT AND BALANCE TO REFLECT PERMANENT INSTALLATION OF MIRROR. MAKE APPROPRIATE LOGBOOK ENTRY.

LOCATE IN CENTER PANEL USING EXISTING LOWER LANDING LIGHT COVER HOLES

-1/-2 INSTALLATION

-1 MIRROR INST'N ON RIGHT SIDE OF CABIN
 -2 MIRROR INST'N ON LEFT SIDE OF CABIN (SHOWN)

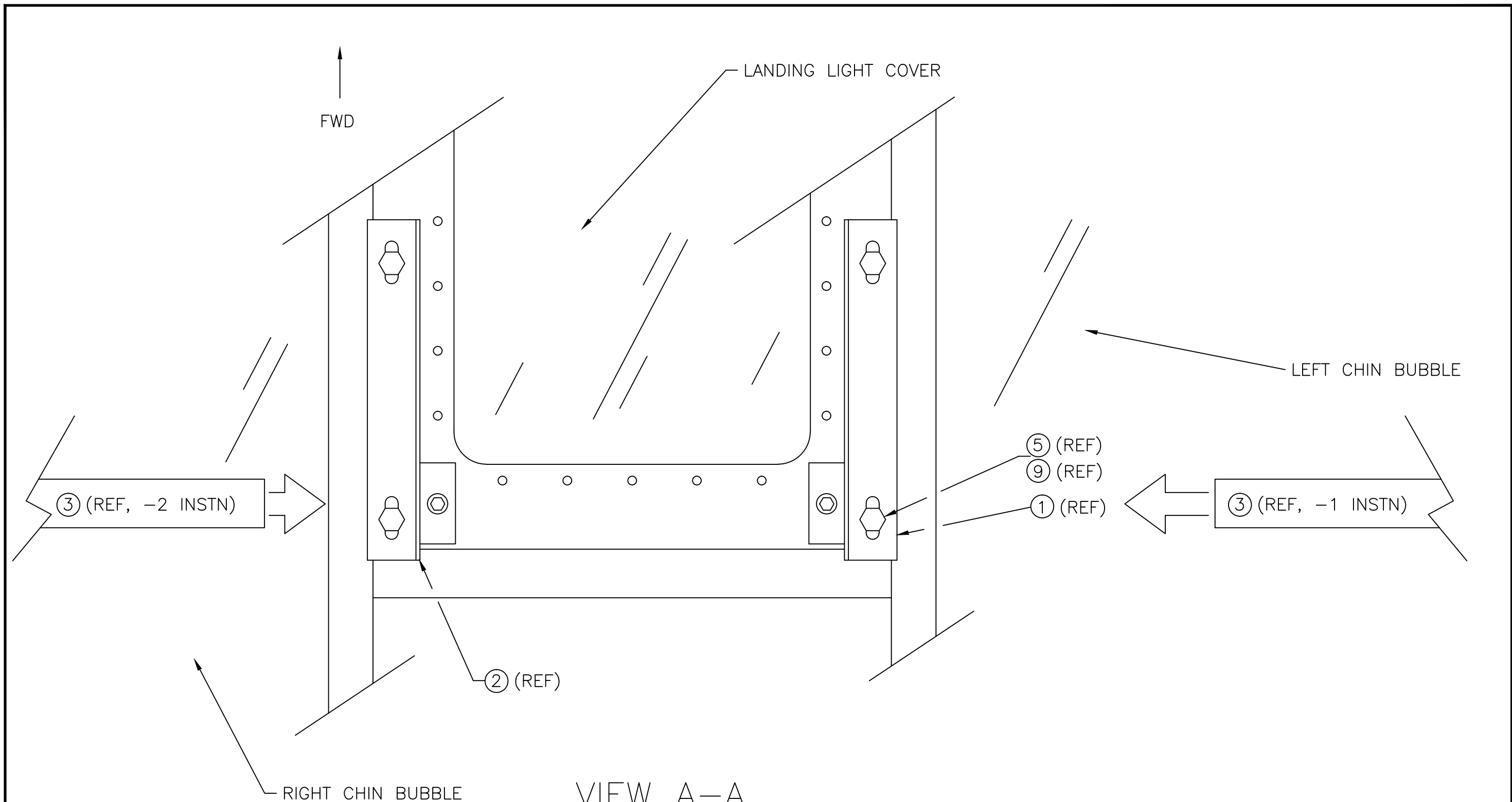
Paravion® Technology Inc.		TITLE EXTERIOR MIRROR INSTALLATION		DRAWING NO. 206EM-100	
DIMENSIONS IN INCHES					
TOLERANCES EXCEPT WHERE NOTED:					
.X = ± .1		.XX = ± .05		.XXX = ± .010	
ANGLES = ± 1°					
DRWN BY RHSM	APRVD BY REB	CHK'D BY REB	DATE 04/27/93	REV C	ECO 2
DO NOT SCALE DRAWING				SHEET 1 OF 2	
© 2000 PARAVION TECH., INC. PARAVION IS A TRADEMARK OF PARAVION TECHNOLOGY, INC.					

PROTO

N/C

-CONFIDENTIAL INFORMATION-
 THE INFORMATION AND DATA CONTAINED HEREIN IS PROPRIETARY AND IS SUBMITTED IN CONFIDENCE; AND SHALL NOT BE DISCLOSED, USED OR DUPLICATED FOR ANY PURPOSE WHATSOEVER WITHOUT THE PRIOR WRITTEN PERMISSION OF PARAVION TECHNOLOGY, INC.

ORIENT DRAIN HOLE TO BOTTOM



VIEW A-A
-1/-2 INSTALLATION

-CONFIDENTIAL INFORMATION-
THE INFORMATION AND DATA CONTAINED HEREIN
IS PROPRIETARY AND IS SUBMITTED IN CONFIDENCE;
AND SHALL NOT BE DISCLOSED, USED OR DUPLICATED
FOR ANY PURPOSE WHATSOEVER WITHOUT THE PRIOR
WRITTEN PERMISSION OF PARAVION TECHNOLOGY, INC.

PROTO
N/C

Paravion® Technology Inc.		TITLE EXTERIOR MIRROR INSTALLATION			DRAWING NO. 206EM-100	
DIMENSIONS IN INCHES						
TOLERANCES EXCEPT WHERE NOTED:						
.X	= ± .1				REV	ECO
.XX	= ± .05				C	2
.XXX	= ± .010					
			DATE			
			04/27/93			
			DO NOT SCALE DRAWING			SHEET
			© 2000 PARAVION TECH., INC. PARAVION IS A TRADEMARK OF PARAVION TECHNOLOGY, INC.			2 OF 2