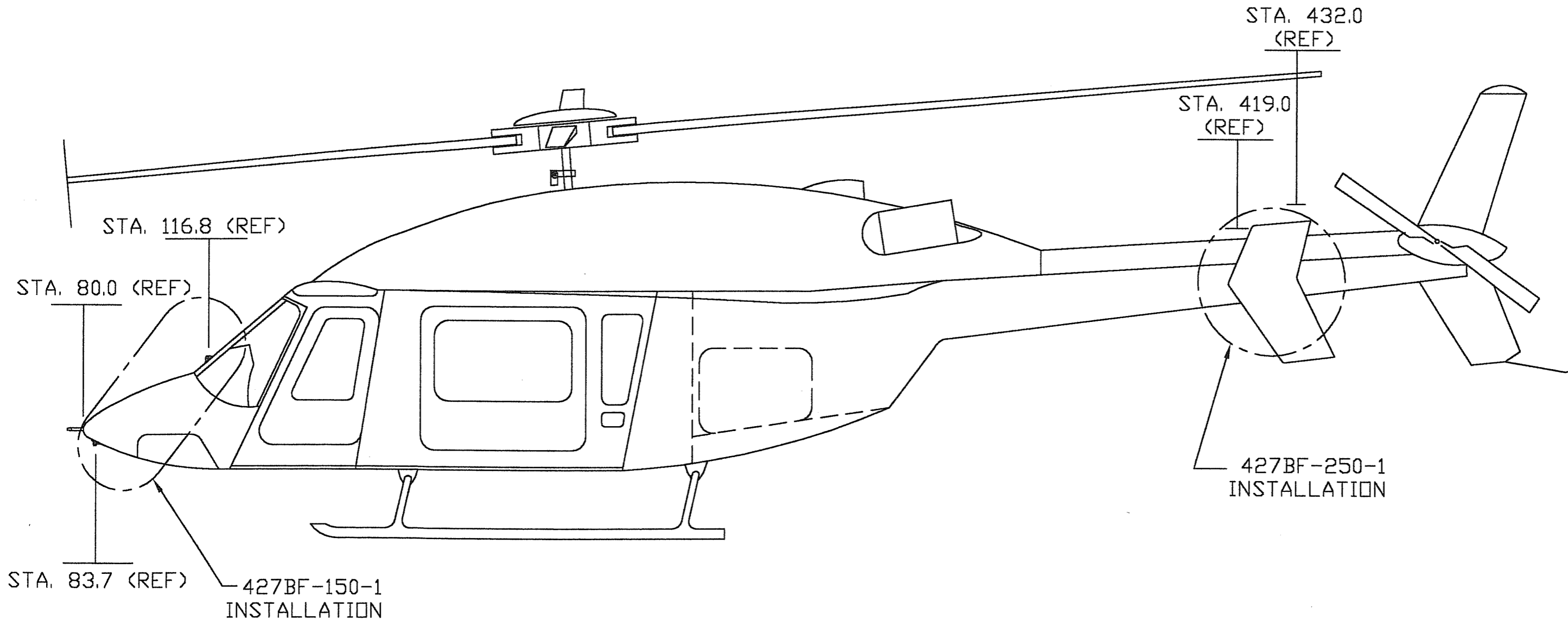


INSTALLATION	FORWARD MOUNT INSTALLATION	AFT MOUNT INSTALLATION
427BF-100-1	427BF-150-1	427BF-250-1

ECO	SHEET	REV	DATE	DESCRIPTION	APR	CHK



-1 INSTALLATION

-CONFIDENTIAL INFORMATION-  
THE INFORMATION AND DATA CONTAINED HEREIN  
IS PROPRIETARY AND IS SUBMITTED IN CONFIDENCE;  
AND SHALL NOT BE DISCLOSED, USED OR DUPLICATED  
FOR ANY PURPOSE WHATSOEVER WITHOUT THE PRIOR  
WRITTEN PERMISSION OF PARAVION TECHNOLOGY, INC.

PROTO  
N/C

Paravion® Technology Inc.		TITLE MOUNTING CONFIGURATION			DRAWING NO. 427BF-100	
DIMENSIONS IN INCHES						
TOLERANCES EXCEPT WHERE NOTED:						
.X	=	±	.1			
.XX	=	±	.05			
.XXX	=	±	.010			
ANGLES = ± 1°						
DRAWN BY MR ECO	APRVD. BY GP	CHK'D BY LS	DATE 03/12/01	REV N/C	ECO	
DO NOT SCALE DRAWING				SHEET 1 OF 1		
© 2001 PARAVION TECH., INC. PARAVION IS A TRADEMARK OF PARAVION TECHNOLOGY, INC.						

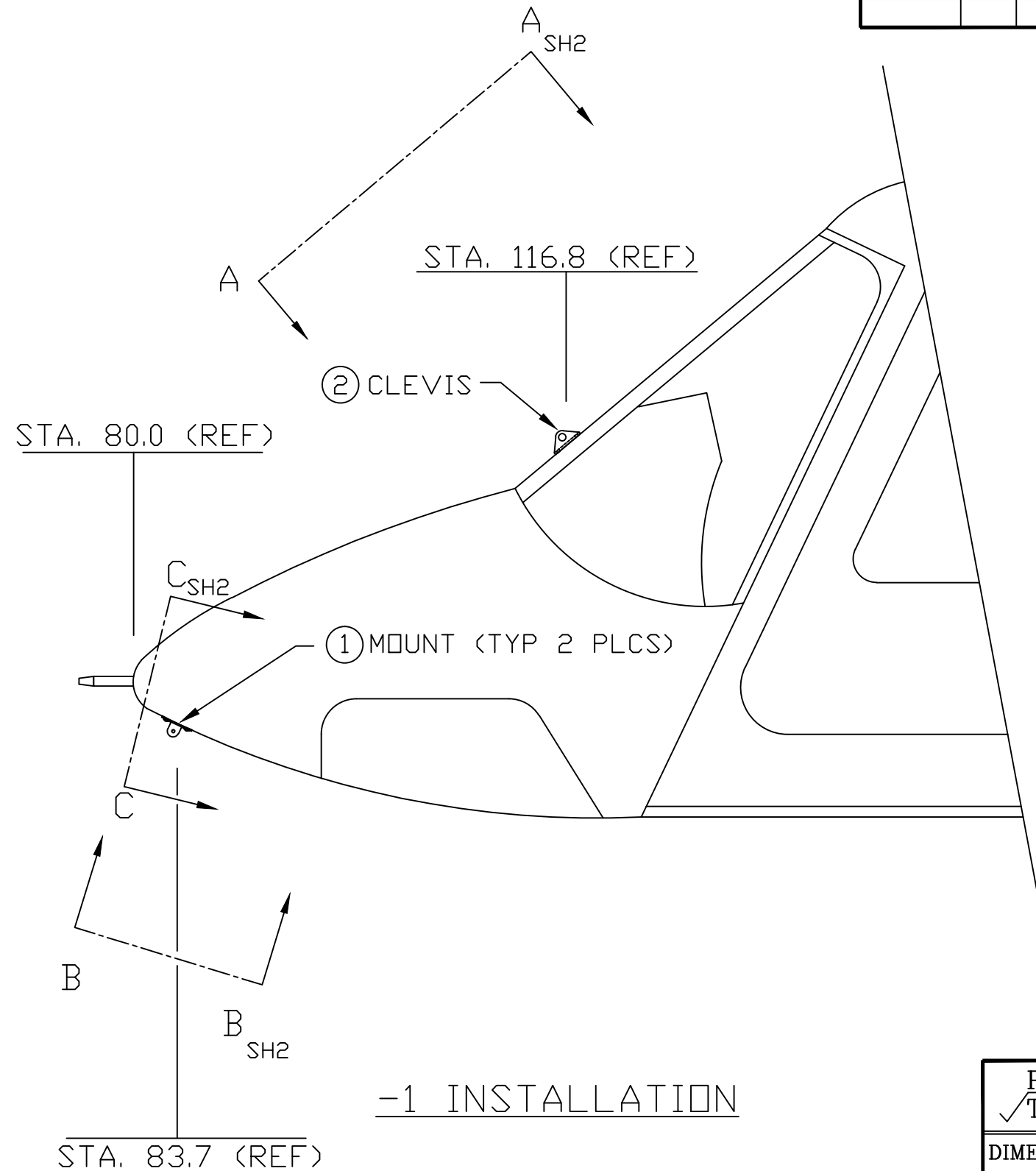
# Bill of Materials

427BF-100-1, REV. N/C

<b>ITEM #</b>	<b>P/N</b>	<b>DESCRIPTION</b>	<b>QTY</b>	<b>TYP</b>
0	427BF-100-1, REV. N/C	SYSTEM CONFIGURATION	1	KIT
1	427BF-150-1	MOUNT & CLEVIS INSTALLATION	1	EA
2	427BF-250-1	CLEVIS INSTALLATION	1	EA

---

SHEET	REV	ECO	DATE	DESCRIPTION	APR	CHK
1, 2	A		05/02/02	MOVED VIEW C-C TO SH. 2. REPLACED NUT PLATE WITH NUT (3) AND WASHER (7), DELETED DETAIL-D SH. 2. INCREASED SCREW LENGTH (4). ADDED NOTE REGARDING WIRE STRIKE SH.2	GP	LS
1, 2	B		05/24/06	ITEM 8 WAS ITEM 7, P/N CORRECTION		



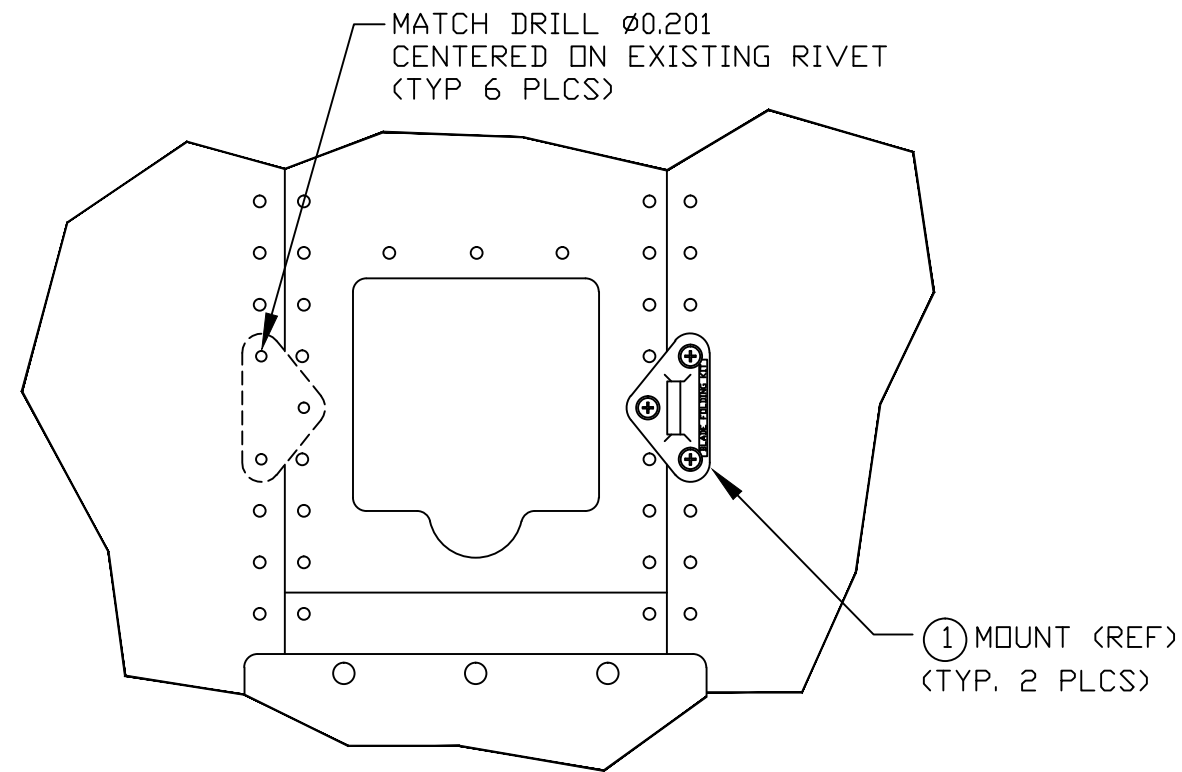
-CONFIDENTIAL INFORMATION-  
 THE INFORMATION AND DATA CONTAINED HEREIN  
 IS PROPRIETARY AND IS SUBMITTED IN CONFIDENCE;  
 AND SHALL NOT BE DISCLOSED, USED OR DUPLICATED  
 FOR ANY PURPOSE WHATSOEVER WITHOUT THE PRIOR  
 WRITTEN PERMISSION OF PARAVION TECHNOLOGY, INC.

PROTO  
 N/C

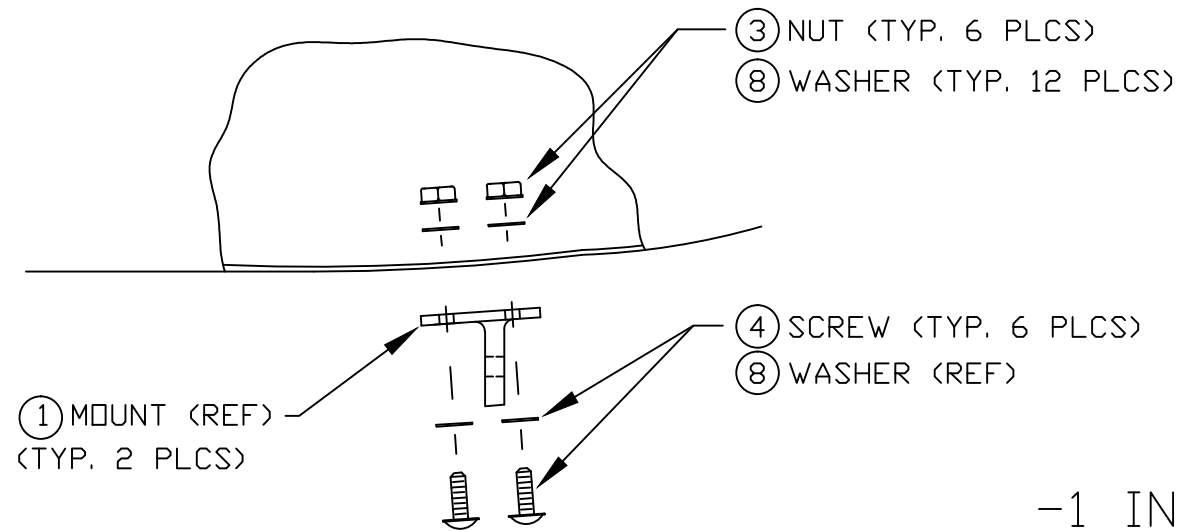
Paravion® Technology Inc.		TITLE MOUNT & CLEVIS INSTALLATION		DRAWING NO. 427BF-150	
DIMENSIONS IN INCHES					
TOLERANCES EXCEPT WHERE NOTED:					
.X	= ± .1			REV	ECO
.XX	= ± .05			B	
.XXX	= ± .010				
ANGLES = ± 1°		DO NOT SCALE DRAWING		SHEET	
© 2001 PARAVION TECH., INC. PARAVION IS A TRADEMARK OF PARAVION TECHNOLOGY, INC.				1 OF 2	

NOTES:

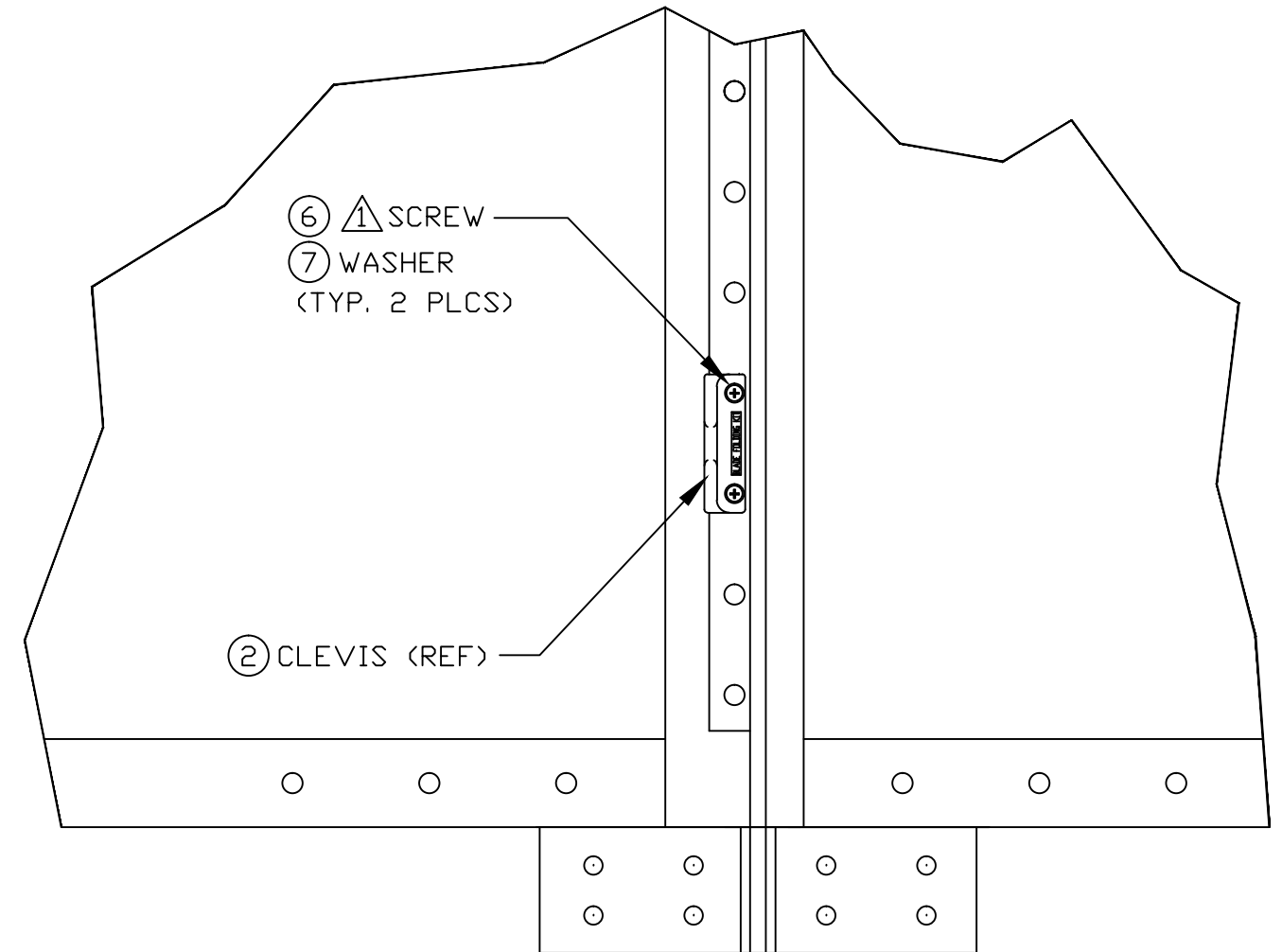
⚠ IF WIRE STRIKE KIT IS NOT INSTALLED USE ⑤ SCREW



VIEW B-B  
SH1



VIEW C-C  
SH1



VIEW A-A  
SH1

-1 INSTALLATION

-CONFIDENTIAL INFORMATION-  
THE INFORMATION AND DATA CONTAINED HEREIN  
IS PROPRIETARY AND IS SUBMITTED IN CONFIDENCE;  
AND SHALL NOT BE DISCLOSED, USED OR DUPLICATED  
FOR ANY PURPOSE WHATSOEVER WITHOUT THE PRIOR  
WRITTEN PERMISSION OF PARAVION TECHNOLOGY, INC.

PROTO  
N/C

Paravion® Technology Inc.		TITLE MOUNT & CLEVIS INSTALLATION			DRAWING NO. 427BF-150	
DIMENSIONS IN INCHES						
TOLERANCES EXCEPT WHERE NOTED:						
.X = ± .1		.XX = ± .05		.XXX = ± .010		
ANGLES = ± 1°						
DRAWN BY MR ECO	APRVD. BY GP	CHK'D BY LS	DATE 03/12/01	REV B	ECO	
DO NOT SCALE DRAWING					SHEET 2 OF 2	
© 2001 PARAVION TECH., INC. PARAVION IS A TRADEMARK OF PARAVION TECHNOLOGY, INC.						

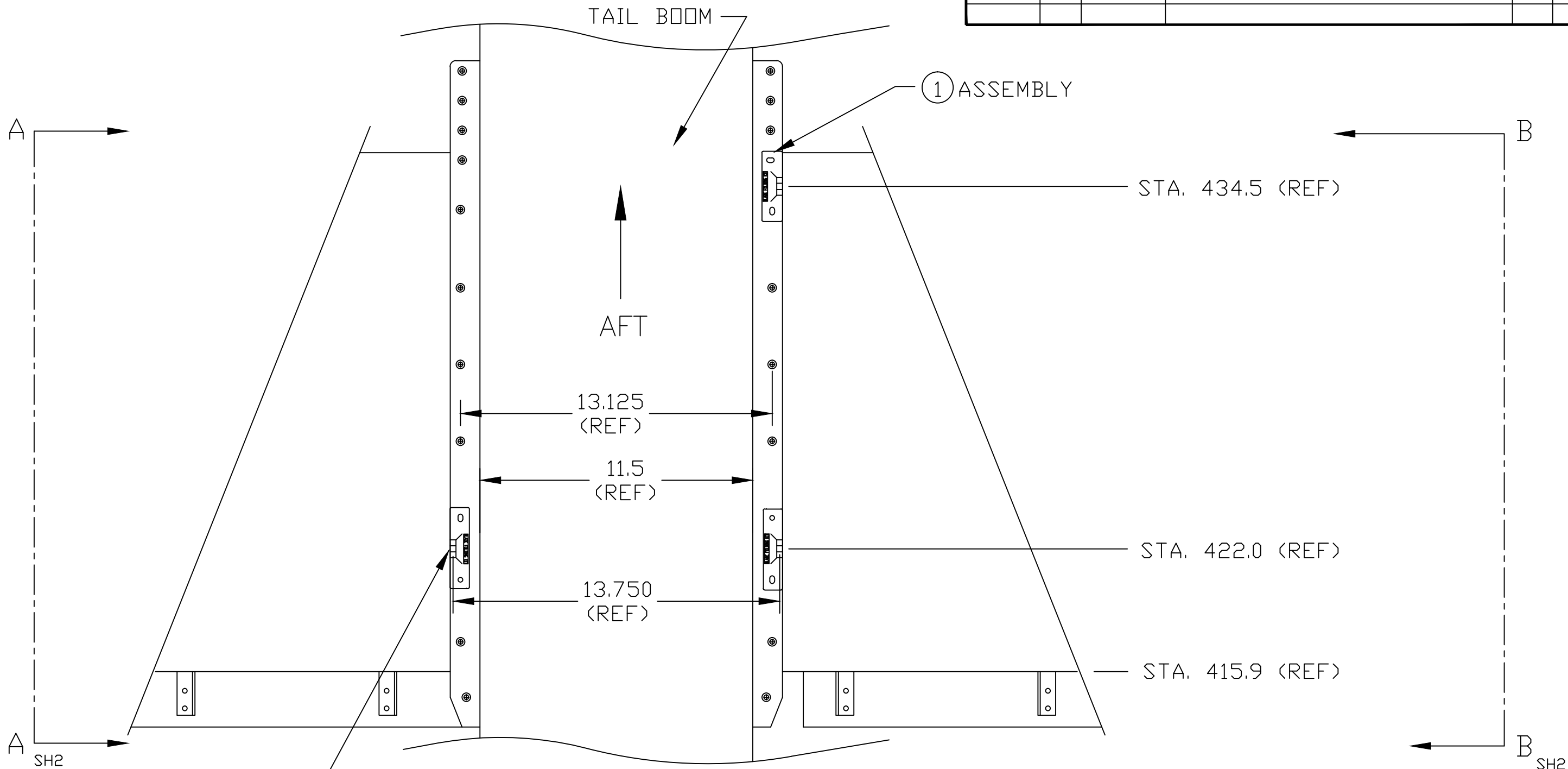
# Bill of Materials

427BF-150-1, REV. B

ITEM #	P/N	DESCRIPTION	QTY	TYP
0	427BF-150-1, REV. B	MOUNT & CLEVIS INSTALLATION	1	KIT
1	427BF-2000-1	MOUNT ASSEMBLY	2	EA
2	427BF-2100-3	CLEVIS ASSEMBLY	1	EA
3	MS21042L3	NUT	6	EA
4	MS27039-1-09	SCREW	6	EA
5	MS27039-0812	SCREW	6	EA
6	MS27039-0813	SCREW	2	EA
7	NAS1149DN816J	WASHER	2	EA
8	NAS1149D0316J	WASHER	12	EA

---

ECO	SHEET	REV	DATE	DESCRIPTION	APR	CHK
	1, 2	A	05/03/02	UPDATED STATION LOCATIONS SH.1. INCREASED SCREW (3) LENGTH SH.2. REMOVED "RUNNING TORQUE" FROM NOTE 1, SH.2		



② ASSEMBLY  
(TYP. 2 PLCS)

-1 INSTALLATION  
TOP VIEW HORIZONTAL STABILIZER

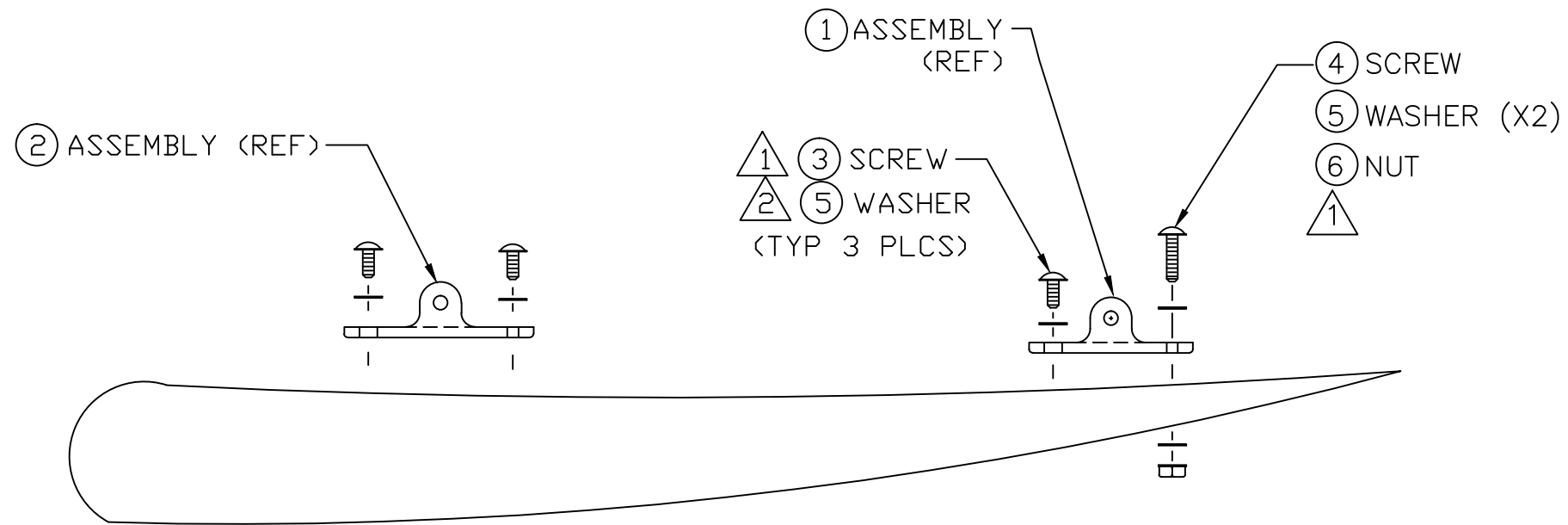
-CONFIDENTIAL INFORMATION-  
THE INFORMATION AND DATA CONTAINED HEREIN  
IS PROPRIETARY AND IS SUBMITTED IN CONFIDENCE;  
AND SHALL NOT BE DISCLOSED, USED OR DUPLICATED  
FOR ANY PURPOSE WHATSOEVER WITHOUT THE PRIOR  
WRITTEN PERMISSION OF PARAVION TECHNOLOGY, INC.

PROTO  
N/C

Paravion® Technology Inc.		TITLE CLEVIS INSTALLATION			DRAWING NO. 427BF-250	
DIMENSIONS IN INCHES						
TOLERANCES EXCEPT WHERE NOTED:						
.X	=	±	.1			
.XX	=	±	.05			
.XXX	=	±	.010			
ANGLES = ± 1°						
DRAWN BY MR ECO	APRVD. BY GP	CHK'D BY LS	DATE 03/12/01	REV A	ECO	
DO NOT SCALE DRAWING					SHEET 1 OF 2	
© 2001 PARAVION TECH., INC. PARAVION IS A TRADEMARK OF PARAVION TECHNOLOGY, INC.						

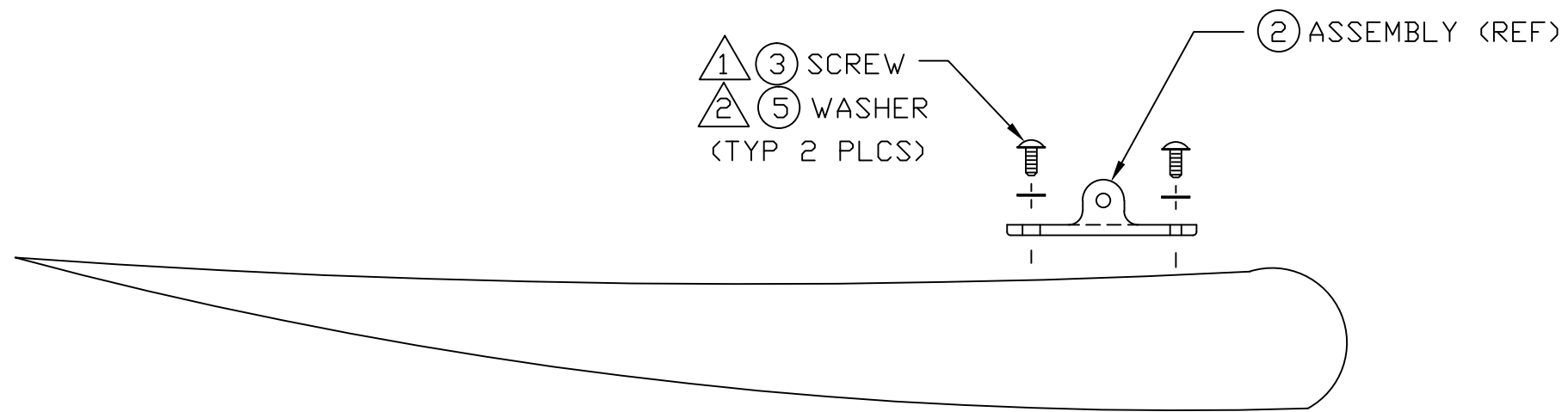
① TORQUE BOLTS TO 20-25 IN-LBS.

② ADDITION OF (1) NAS1149D0316J WASHER IS ACCEPTABLE IF THE SCREW BOTTOMS OUT.



AFT →

VIEW B-B  
SH1



← AFT

VIEW A-A  
SH1

-CONFIDENTIAL INFORMATION-  
THE INFORMATION AND DATA CONTAINED HEREIN  
IS PROPRIETARY AND IS SUBMITTED IN CONFIDENCE;  
AND SHALL NOT BE DISCLOSED, USED OR DUPLICATED  
FOR ANY PURPOSE WHATSOEVER WITHOUT THE PRIOR  
WRITTEN PERMISSION OF PARAVION TECHNOLOGY, INC.

PROTO  
N/C

Paravion® Technology Inc.		TITLE CLEVIS INSTALLATION			DRAWING NO. 427BF-250	
DIMENSIONS IN INCHES						
TOLERANCES EXCEPT WHERE NOTED:						
.X = ± .1		.XX = ± .05		.XXX = ± .010		
ANGLES = ± 1°						
DRAWN BY MR ECO	APRVD. BY GP	CHK'D BY LS	DATE 03/12/01	REV A	ECO	
DO NOT SCALE DRAWING					SHEET 2 OF 2	
© 2001 PARAVION TECH., INC. PARAVION IS A TRADEMARK OF PARAVION TECHNOLOGY, INC.						

# Bill of Materials

427BF-250-1, REV. A

ITEM #	P/N	DESCRIPTION	QTY	TYP
0	427BF-250-1, REV. A	CLEVIS INSTALLATION	1	KIT
1	427BF-2100-1	CLEVIS ASSEMBLY	1	EA
2	427BF-2100-2	CLEVIS ASSEMBLY	2	EA
3	MS27039-1-09	SCREW	5	EA
4	MS27039-1-13	SCREW	1	EA
5	NAS1149D0316J	WASHER	12	EA
6	MS21042L3	NUT	1	EA

---