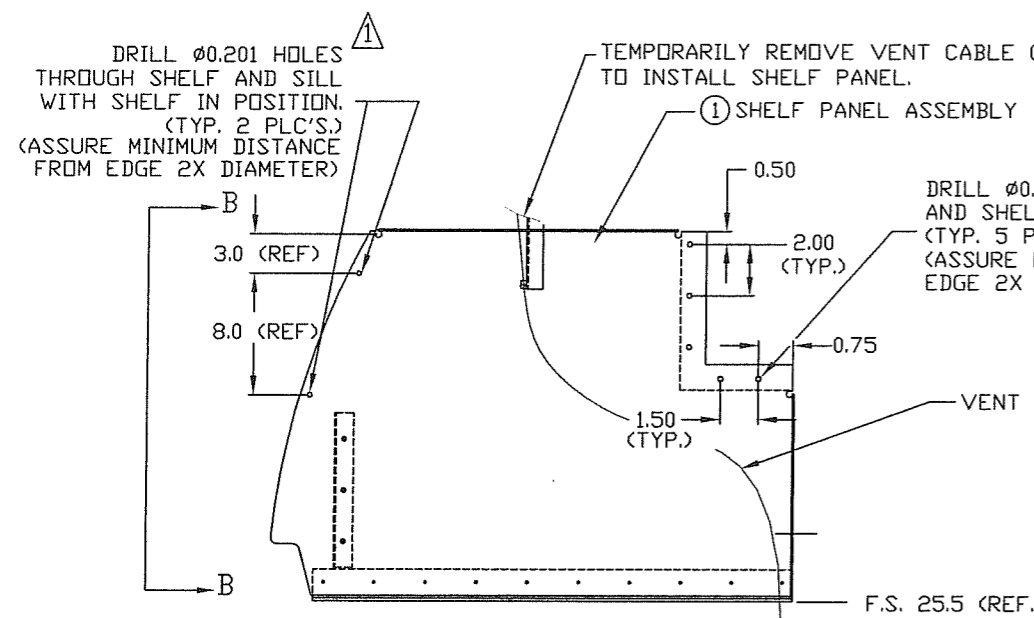


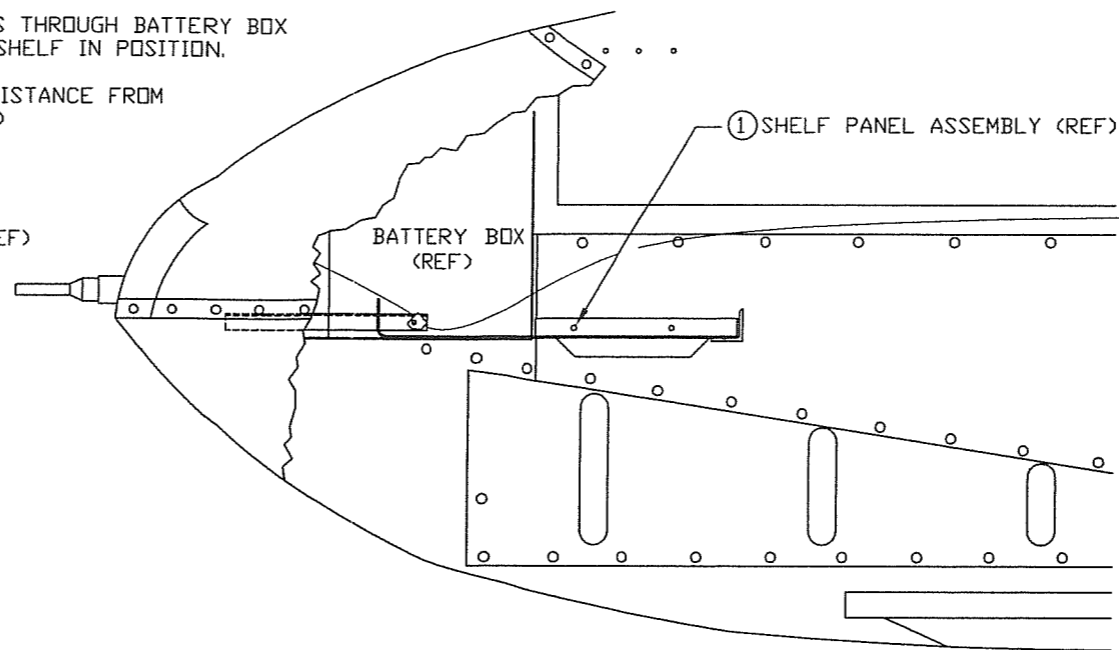
INSTALLATION NOTES:

▲ MATCH DRILL TO EXISTING FASTENER LOCATION(S) IF POSSIBLE.

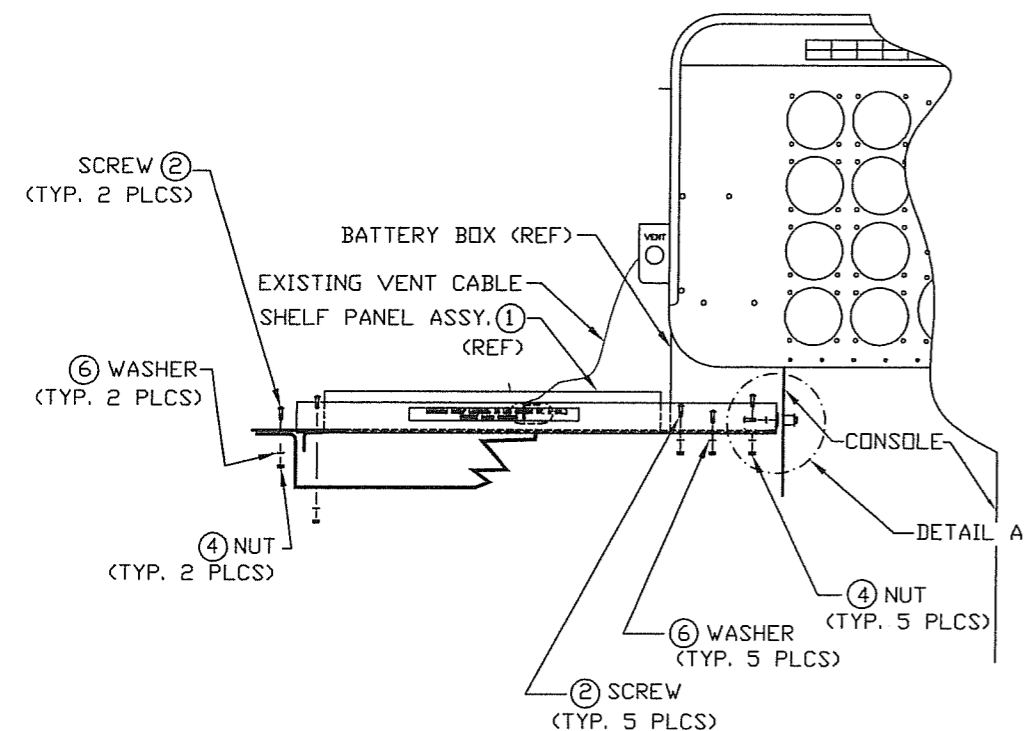
SHEET	REV	ECO	DATE	DESCRIPTION	APR	CHK
1	A		05/21/98	MOVED SHELF FORWARD, ADDED BATTERY BOX FASTENERS.	REB	REB
1	B		10/16/00	ADDED NOTES, DIM. IN TOP VIEW	MR	LS
	C		03/21/06	ADDED BASIC WT.&BAL. DATA	REB	LS



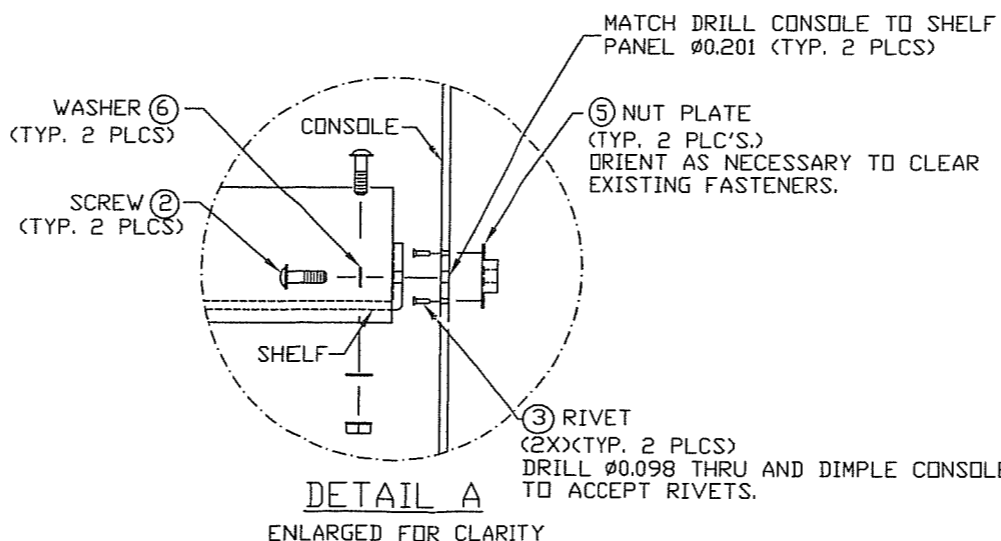
TOP VIEW



VIEW B-B



VIEW LOOKING FORWARD



DETAIL A
ENLARGED FOR CLARITY

NOTE: EQUIPMENT PREVIOUSLY INSTALLED TO CONSOLE SIDE PANEL MAY REQUIRE RELOCATION.

BASIC, -1 SHELF INSTALLATION WEIGHT: 3.5 LB.
F.S. 17.8 INCHES
B.L. -11.3 INCHES

ACTUAL INSTALLATION WEIGHT AND LOCATION MUST BE VERIFIED.

TOTAL WEIGHT OF COMPONENTS INSTALLED ON OR TO SHELF MUST NOT EXCEED 35 LBS.

-1 INSTALLATION

-CONFIDENTIAL INFORMATION-
THE INFORMATION AND DATA CONTAINED HEREIN IS PROPRIETARY AND IS SUBMITTED IN CONFIDENCE; AND SHALL NOT BE DISCLOSED, USED OR DUPLICATED FOR ANY PURPOSE WHATSOEVER WITHOUT THE PRIOR WRITTEN PERMISSION OF PARAVION TECHNOLOGY, INC.

PROTO
N/C

Paravion® Inc. Technology		TITLE SHELF PANEL INSTALLATION			DRAWING NO. 407ET-100	
DIMENSIONS IN INCHES						
TOLERANCES EXCEPT WHERE NOTED:						
.X	= ± .1	DRAWN BY		APRVD. BY	CHK'D BY	DATE
.XX	= ± .05	FWL	REB	LS		03/16/98
.XXX	= ± .010	ECO				
ANGLES = ± 1°						REV
DO NOT SCALE DRAWING						ECO
© 1999 PARAVION TECH., INC. PARAVION IS A TRADEMARK OF PARAVION TECHNOLOGY, INC.						SHEET
						1 OF 1

BREAK ALL SHARP EDGES