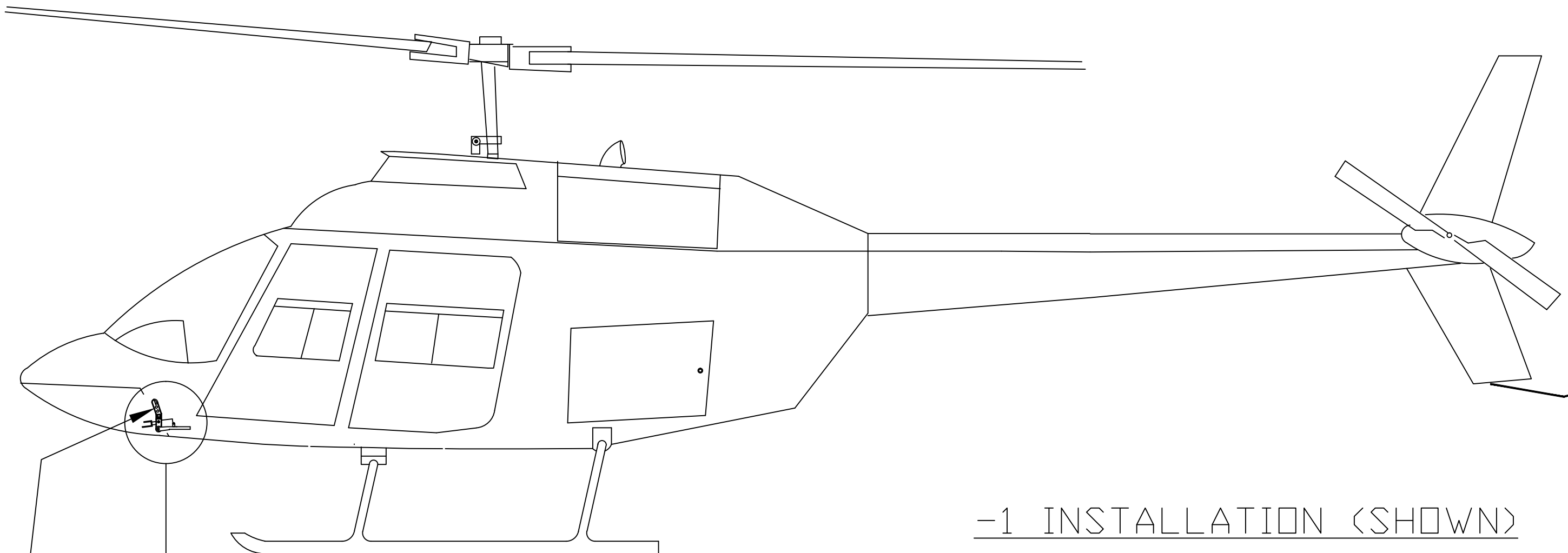


INSTALLATION	MODEL EFFECTIVITY	PEDAL INSTALLATION
206/407RDP-100-1	206A, B, L, L1, L3, L4	206RDP-110-1
206/407RDP-100-2	407 *MUST HAVE P/N 206-001-703(-005/-006) PEDAL ASSY RIGHT CREW STATION	407RDP-110-1

SHEET	REV	ECO	DATE	DESCRIPTION	APR	CHK
1	N/C	1	12/13/07	ADDED INSTALLATION APPL'Y, 407		

\*407 AIRCRAFT S/N53000-53399, PRE-MOD 407-704-004, ARE NOT ELIGIBLE FOR 407RDP-100-2 MODIFICATION



STA. 34.0  
B.L. -11.0

206RDP-110-1 (SHOWN)  
407RDP-110-1

-1 INSTALLATION (SHOWN)

-CONFIDENTIAL INFORMATION-  
THE INFORMATION AND DATA CONTAINED HEREIN  
IS PROPRIETARY AND IS SUBMITTED IN CONFIDENCE;  
AND SHALL NOT BE DISCLOSED, USED OR DUPLICATED  
FOR ANY PURPOSE WHATSOEVER WITHOUT THE PRIOR  
WRITTEN PERMISSION OF PARAVION TECHNOLOGY, INC.

PROTO  
N/C

Paravion® Technology Inc.		TITLE SYSTEM CONFIGURATION		DRAWING NO. 206/407RDP-100		
DIMENSIONS IN INCHES						
TOLERANCES EXCEPT WHERE NOTED:						
.X = ± .1		.XX = ± .05		.XXX = ± .010		ANGLES = ± 1°
DRAWN BY MR		APRVD. BY ECO		CHK'D BY		DATE 02/01/01
						REV N/C
						ECO 1
DO NOT SCALE DRAWING					SHEET 1 OF 1	
© 2001 PARAVION TECH., INC. PARAVION IS A TRADEMARK OF PARAVION TECHNOLOGY, INC.						

# Bill of Materials

\*206/407RDP-100-1, REV. N/C ECO1

ITEM #	P/N	DESCRIPTION	QTY	TYP
0	*206/407RDP-100-1, REV. N/C ECO	SYSTEM CONFIGURATION	1	KIT
1	206RDP-110-1	PEDAL INST'N	1	KIT

---

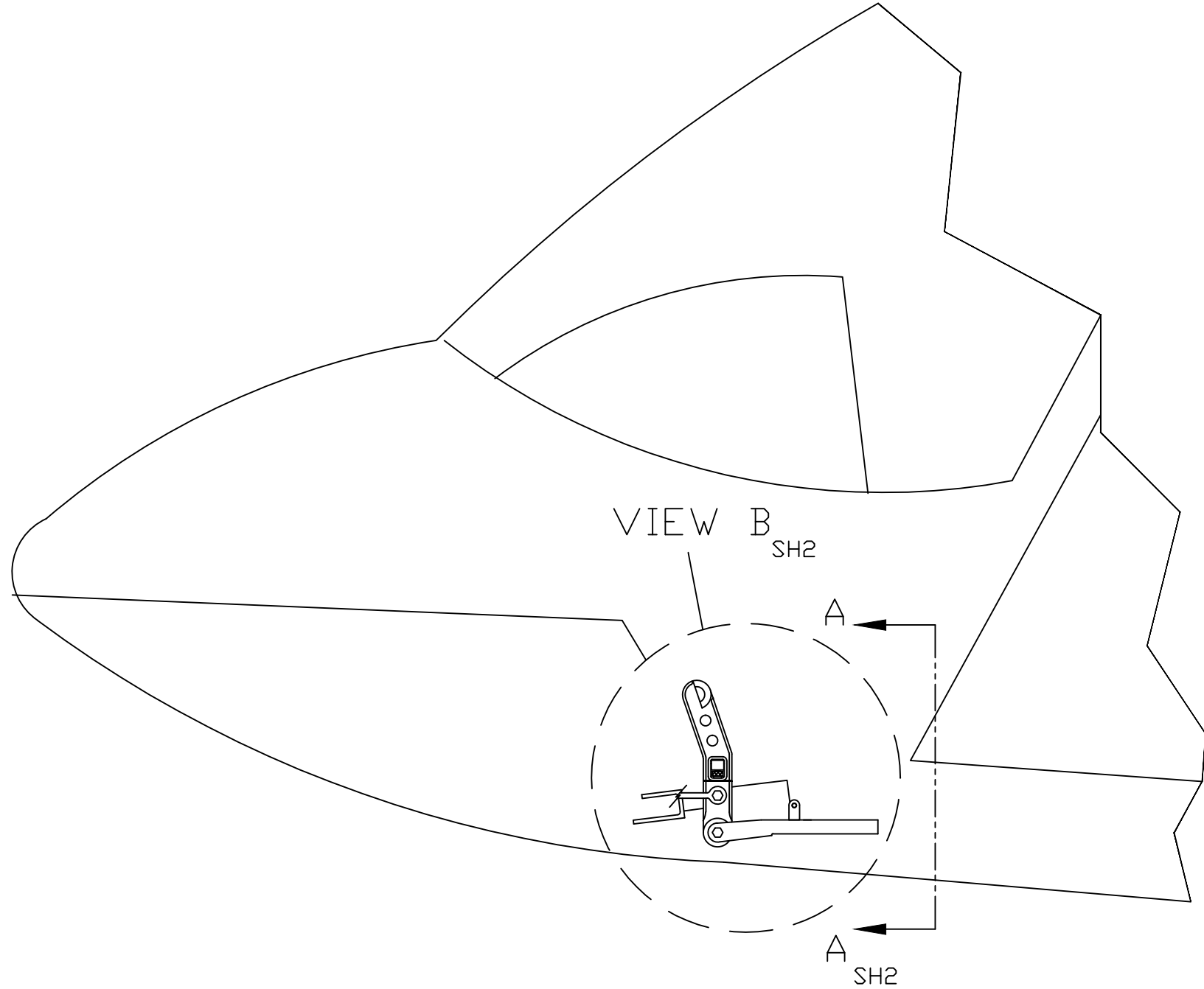
# Bill of Materials

\*206/407RDP-100-2, REV. N/C ECO1

ITEM #	P/N	DESCRIPTION	QTY	TYP
0	*206/407RDP-100-2, REV. N/C ECO	SYSTEM CONFIGURATION	1	KIT
1	407RDP-110-1	PEDAL INST'N	1	KIT

---

SHEET	REV	ECO	DATE	DESCRIPTION	APR	CHK
1, 2	A		03/23/01	ALTERED NOTE IN VIEW B	MR	LS
1, 2	B		11/29/01	REPLACED 1 WASHER WITH LARGE AREA WASHER		
1, 2		1	03/08/06	ADDED ITEMS (10), (11)		

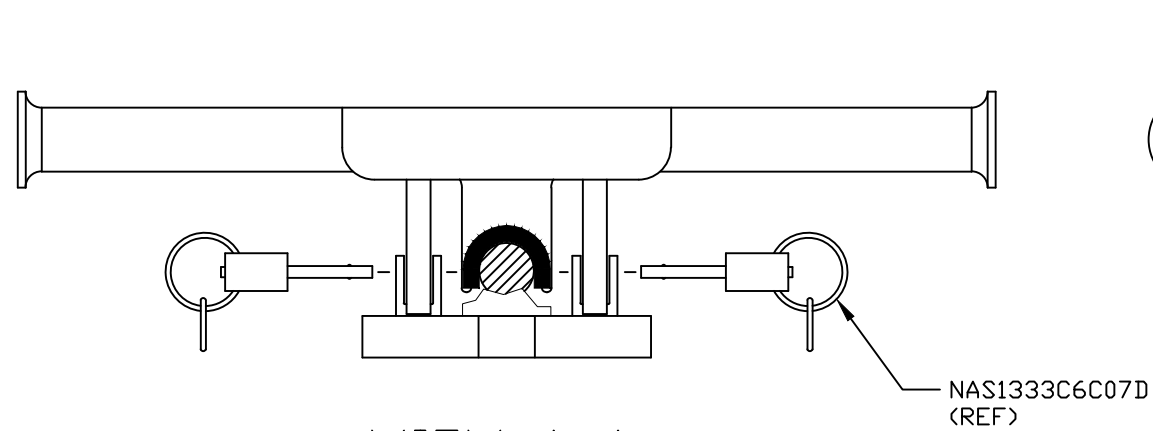


-1 INSTALLATION

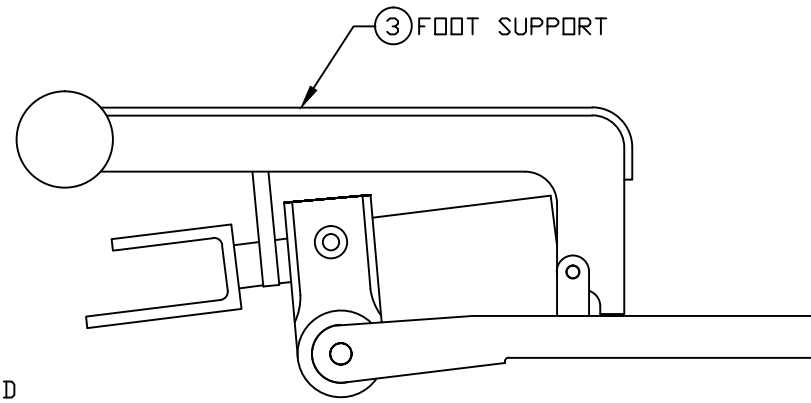
-CONFIDENTIAL INFORMATION-  
 THE INFORMATION AND DATA CONTAINED HEREIN  
 IS PROPRIETARY AND IS SUBMITTED IN CONFIDENCE;  
 AND SHALL NOT BE DISCLOSED, USED OR DUPLICATED  
 FOR ANY PURPOSE WHATSOEVER WITHOUT THE PRIOR  
 WRITTEN PERMISSION OF PARAVION TECHNOLOGY, INC.

PROTO  
 N/C

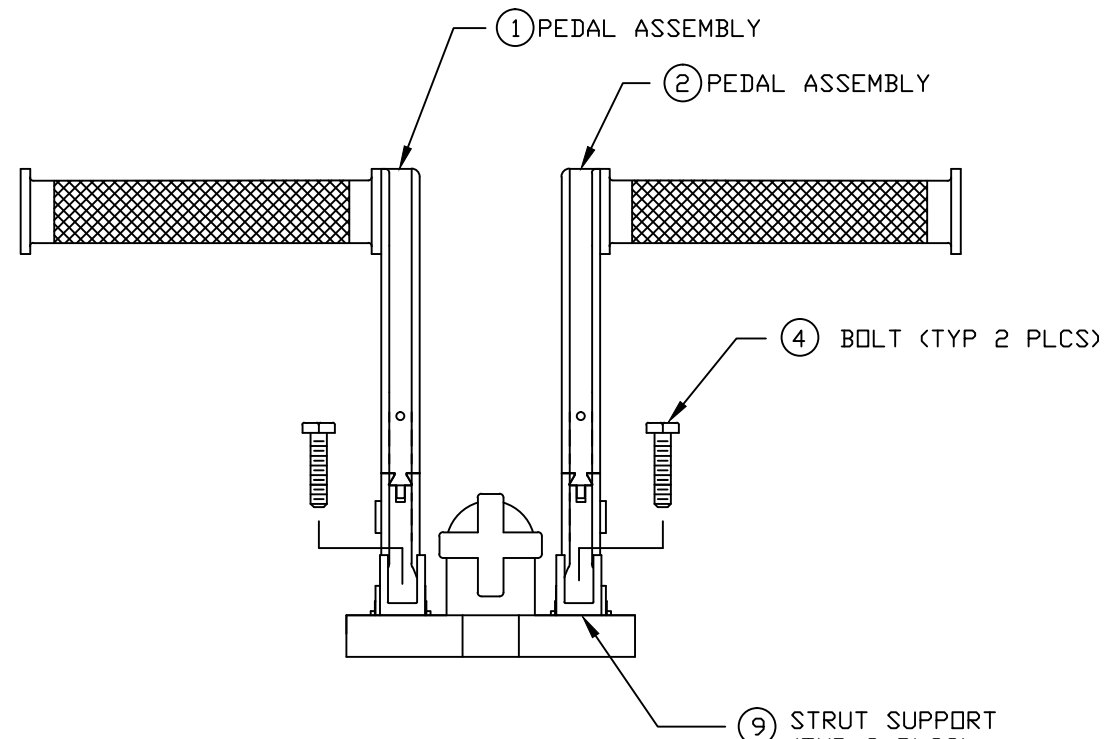
Paravion® Technology Inc.		TITLE PEDAL INSTALLATION		DRAWING NO. 206RDP-110		
DIMENSIONS IN INCHES						
TOLERANCES EXCEPT WHERE NOTED:						
DRAWN BY MR		APRVD. BY MR	CHK'D BY LS	DATE 02/01/01	REV B	ECO 1
DO NOT SCALE DRAWING					SHEET 1 OF 2	
© 2001 PARAVION TECH., INC. PARAVION IS A TRADEMARK OF PARAVION TECHNOLOGY, INC.						
		ANGLES = ± 1°				



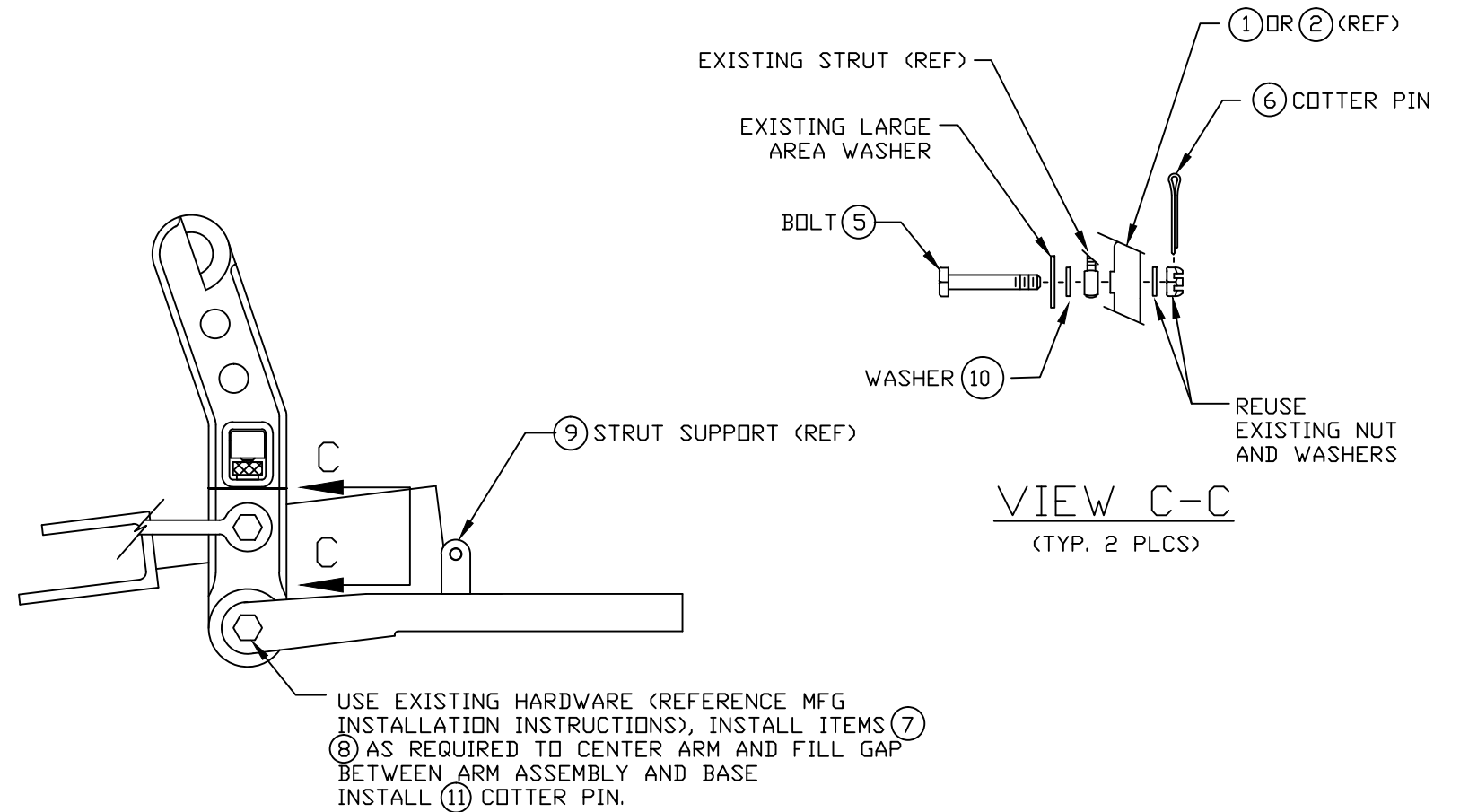
VIEW A-A SH1  
PEDAL REMOVED  
COVER INTALLED



VIEW B SH1  
PEDAL REMOVED  
COVER INTALLED



VIEW A-A SH1  
PEDAL INSTALLED



VIEW C-C  
(TYP. 2 PLCS)

VIEW B SH1  
COVER REMOVED  
PEDAL INTALLED

-CONFIDENTIAL INFORMATION-  
THE INFORMATION AND DATA CONTAINED HEREIN  
IS PROPRIETARY AND IS SUBMITTED IN CONFIDENCE;  
AND SHALL NOT BE DISCLOSED, USED OR DUPLICATED  
FOR ANY PURPOSE WHATSOEVER WITHOUT THE PRIOR  
WRITTEN PERMISSION OF PARAVION TECHNOLOGY, INC.

PROTO  
N/C

Paravion® Technology Inc.		TITLE PEDAL INSTALLATION			DRAWING NO. 206RDP-110	
DIMENSIONS IN INCHES						
TOLERANCES EXCEPT WHERE NOTED:						
.X = ± .1		DRAWN BY		APRVD. BY		CHK'D BY
.XX = ± .05		MR		MR		LS
.XXX = ± .010		ECO		DATE		REV
ANGLES = ± 1°				02/01/01		B
						ECO
						1
				DO NOT SCALE DRAWING		SHEET
				© 2001 PARAVION TECH, INC. PARAVION IS A TRADEMARK OF PARAVION TECHNOLOGY, INC.		2 OF 2

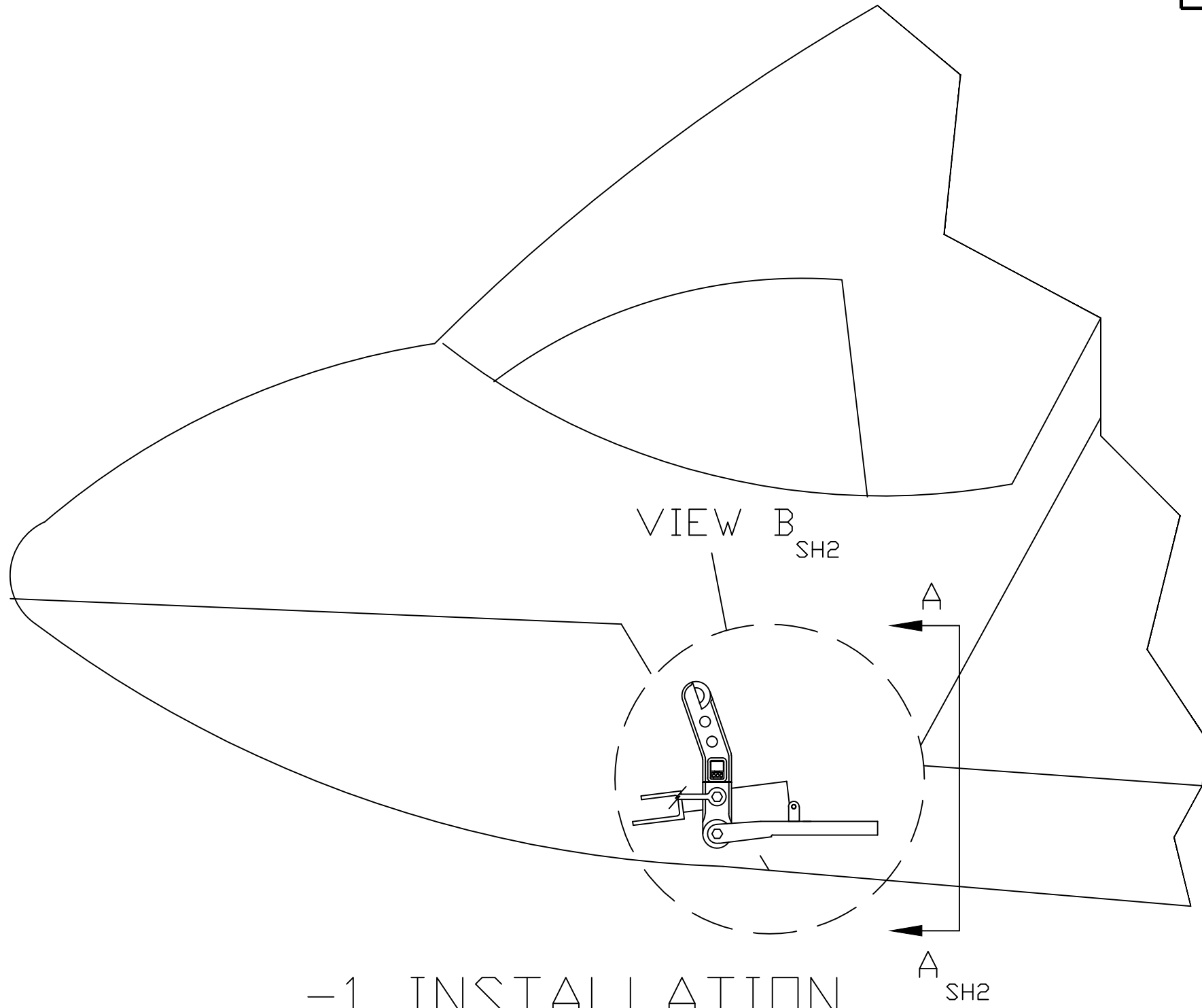
# Bill of Materials

\*206RDP-110-1, REV. B ECO1

ITEM #	P/N	DESCRIPTION	QTY	TYP
0	*206RDP-110-1, REV. B ECO1	PEDAL INST'N	1	KIT
1	206RDP-1000-1	PEDAL ASSEMBLY	1	EA.
2	206RDP-1000-2	PEDAL ASSEMBLY	1	EA.
3	206RDP-2400-1	FOOT SUPPORT	1	EA.
4	AN4-11A	BOLT	2	EA.
5	AN4-14	BOLT	2	EA.
6	MS24665-132	COTTER PIN (ALT: MS24665-151)	3	EA.
7	NAS1149F0532P	WASHER	6	EA.
8	NAS1149F0563P	WASHER	6	EA.
9	R22CM-290-2	STRUT SUPPORT	2	EA.
10	NAS1149D0463J	WASHER	2	EA.
11	MS24665-155	COTTER PIN	1	EA.

---

SHEET	REV	ECO	DATE	DESCRIPTION	APR	CHK
1, 2	A		03/23/01	ALTERED NOTE IN VIEW B	MR	LS
1, 2	B		11/29/01	VIEW C-C EXISTING LARGE AREA WASHER WAS NAS WASHER, PROVIDED	GP	LS
1, 2		1	03/08/06	ADDED ITEMS (10), (11)		

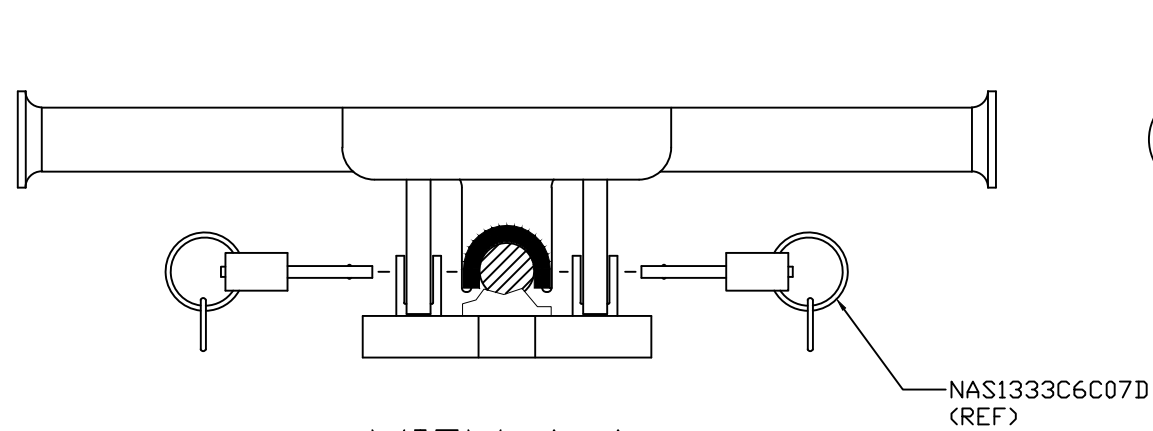


-1 INSTALLATION

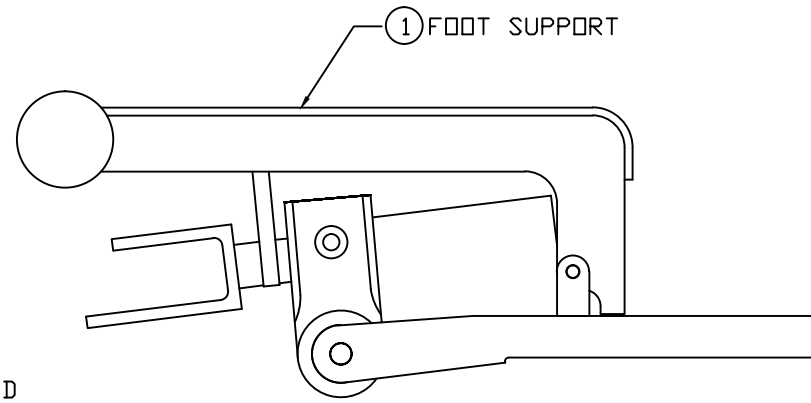
-CONFIDENTIAL INFORMATION-  
 THE INFORMATION AND DATA CONTAINED HEREIN  
 IS PROPRIETARY AND IS SUBMITTED IN CONFIDENCE;  
 AND SHALL NOT BE DISCLOSED, USED OR DUPLICATED  
 FOR ANY PURPOSE WHATSOEVER WITHOUT THE PRIOR  
 WRITTEN PERMISSION OF PARAVION TECHNOLOGY, INC.

PROTO  
 N/C

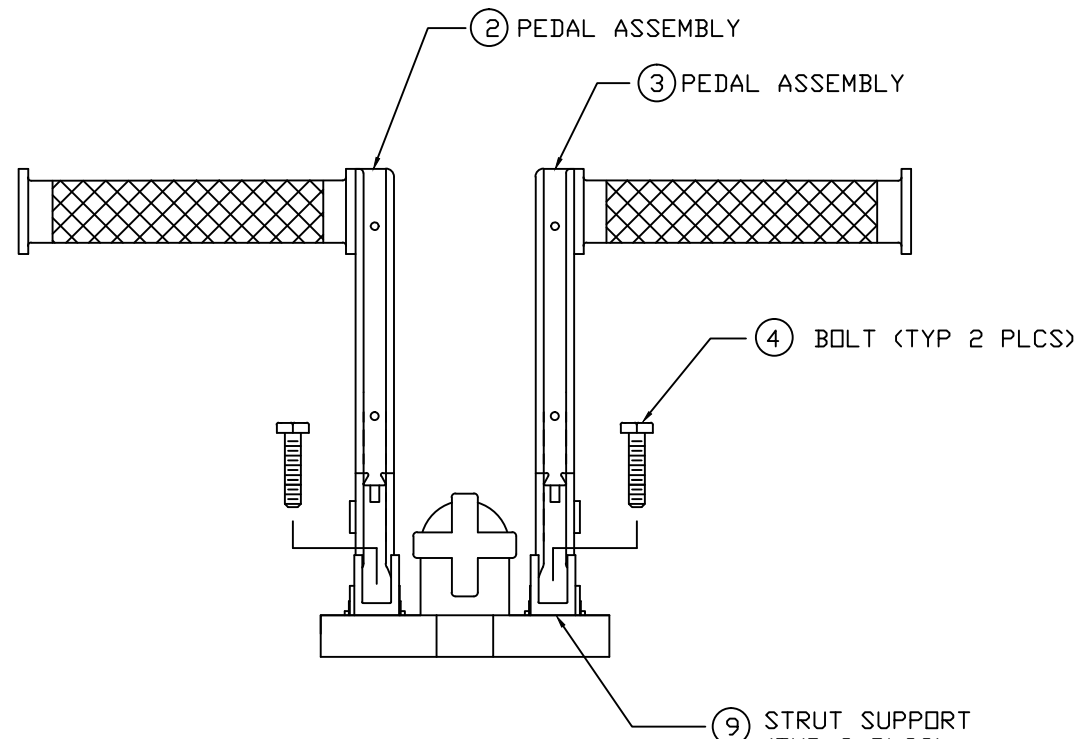
Paravion® Technology Inc.		TITLE PEDAL INSTALLATION		DRAWING NO. 407RDP-110	
DIMENSIONS IN INCHES		DRAWN BY	APRVD. BY	CHK'D BY	DATE
TOLERANCES EXCEPT WHERE NOTED:		MR	MR	LS	02/08/01
.X = ± .1		DO NOT SCALE DRAWING			REV B
.XX = ± .05		© 2001 PARAVION TECH., INC. PARAVION IS A TRADEMARK OF PARAVION TECHNOLOGY, INC.			ECO 1
.XXX = ± .010					SHEET 1 OF 2
ANGLES = ± 1°					



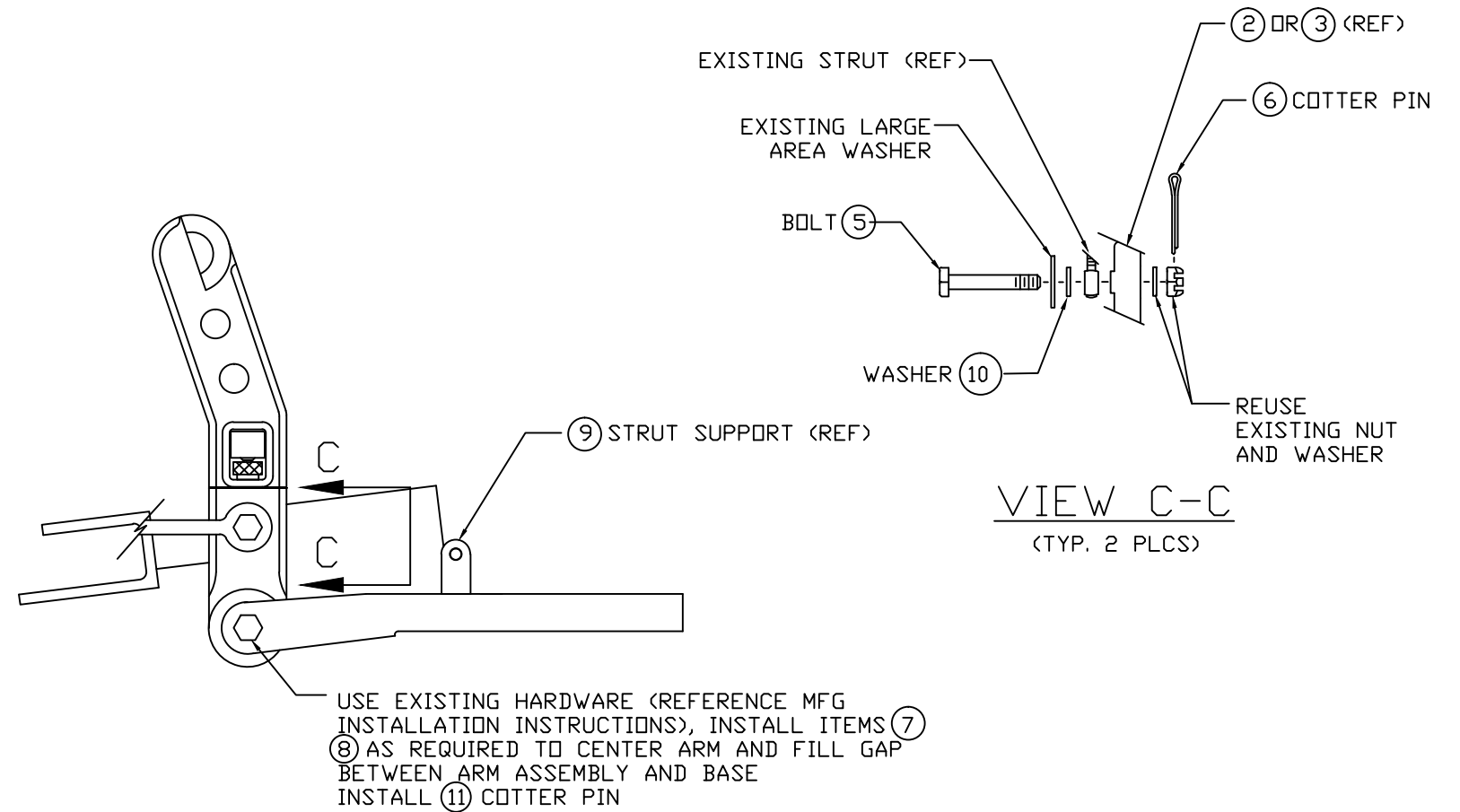
VIEW A-A SH1  
PEDAL REMOVED  
COVER INTALLED



VIEW B SH1  
PEDAL REMOVED  
COVER INTALLED



VIEW A-A SH1  
PEDAL INSTALLED



VIEW B SH1  
COVER REMOVED  
PEDAL INTALLED

VIEW C-C  
(TYP. 2 PLCS)

-CONFIDENTIAL INFORMATION-  
THE INFORMATION AND DATA CONTAINED HEREIN  
IS PROPRIETARY AND IS SUBMITTED IN CONFIDENCE;  
AND SHALL NOT BE DISCLOSED, USED OR DUPLICATED  
FOR ANY PURPOSE WHATSOEVER WITHOUT THE PRIOR  
WRITTEN PERMISSION OF PARAVION TECHNOLOGY, INC.

PROTO  
N/C

Paravion® Technology Inc.		TITLE PEDAL INSTALLATION			DRAWING NO. 407RDP-110	
DIMENSIONS IN INCHES		DRAWN BY	APRVD. BY	CHK'D BY	DATE	REV
TOLERANCES EXCEPT WHERE NOTED:		MR	MR	LS	02/01/01	B
.X = ± .1 .XX = ± .05 .XXX = ± .010		ECO				1
ANGLES = ± 1°		DO NOT SCALE DRAWING				SHEET
		© 2001 PARAVION TECH., INC. PARAVION IS A TRADEMARK OF PARAVION TECHNOLOGY, INC.				2 OF 2



# Bill of Materials

\*407RDP-110-1, REV. B ECO1

ITEM #	P/N	DESCRIPTION	QTY	TYP
0	*407RDP-110-1, REV. B ECO1	PEDAL INST'N	1	KIT
1	206RDP-2400-1	FOOT SUPPORT	1	EA.
2	407RDP-1000-1	PEDAL ASSEMBLY	1	EA.
3	407RDP-1000-2	PEDAL ASSEMBLY	1	EA.
4	AN4-11A	BOLT	2	EA.
5	AN4-14	BOLT	2	EA.
6	MS24665-132	COTTER PIN (ALT: MS24665-151)	3	EA.
7	NAS1149F0532P	WASHER	6	EA.
8	NAS1149F0563P	WASHER	6	EA.
9	R22CM-290-2	STRUT SUPPORT	2	EA.
10	NAS1149D0463J	WASHER	2	EA.
11	MS24665-155	COTTER PIN	1	EA.

---