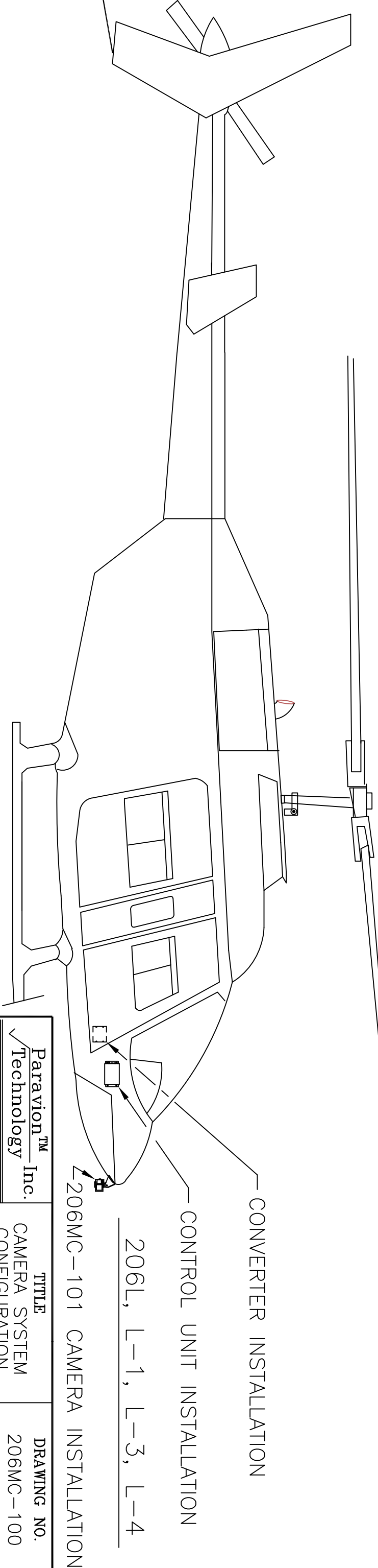
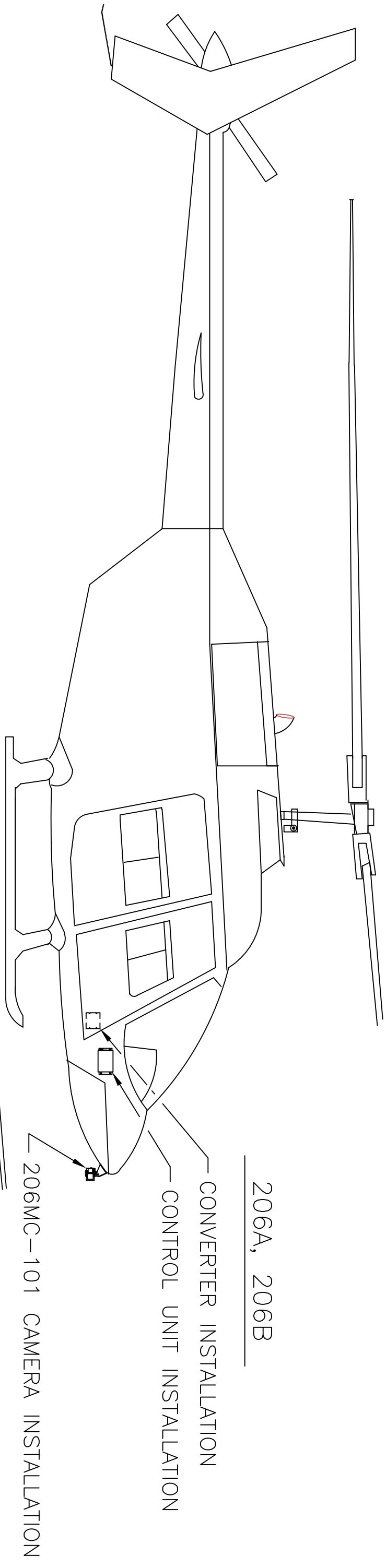


MODEL EFFECTIVITY	CAMERA INSTALLATION
206A, 206B	206MC-101
206L	206MC-101
206L-1, L-3, L-4	206MC-101

ECO	SHEET	REV	DATE	DESCRIPTION	APR



Paravion™ Inc. Technology		TITLE CAMERA SYSTEM CONFIGURATION		DRAWING NO. 206MC-100	
DIMENSIONS IN INCHES TOLERANCES EXCEPT WHERE NOTED: .X = ± .1 .XX = ± .05 .XXX = ± .010 ANGLES = ± 1°					
DRAWN BY RISM	APPVD. BY REB	CHK'D BY BR	DATE 03/14/94	REV N/C	ECO
DO NOT SCALE DRAWING				SHEET 1 OF 1	
© 1993 PARAVION TECH, INC. PARAVION IS A TRADEMARK OF PARAVION TECHNOLOGY, INC.					

INSTALLATION INSTRUCTIONS:

1. REMOVE THE RIGHT SCREW FROM TOP ROW AND THE FORWARD SCREW FROM RIGHT-SIDE OF THE LANDING LIGHT WINDOW.
2. INSTALL THE MOUNT ASSEMBLY USING INDICATED HARDWARE.
3. USING INDICATED HARDWARE, MOUNT CONVERTER. INSTALL SPECIFIED BREAKER AND PLACARD IN OVERHEAD BREAKER PANEL.
4. REMOVE LEFT CONSOLE PANEL, P/N 206-031-210-685 OR EQUIVALENT. USING INDICATED HARDWARE, MOUNT 206TC-2000-1 PLATE AND CAMERA CONTROL UNIT IN THE LOCATION SHOWN. CONTROL UNIT MAY BE MOUNTED ON RIGHT SIDE OF THE CONSOLE IF DESIRED.
5. CUT CABLE PASSAGE HOLES IN INDICATED PANELS. ROUTE ELECTRIC WIRING AS INDICATED. INSTALL SPECIFIED GROMMETS. TIE CABLES TO AIRCRAFT STRUCTURE TO PROHIBIT CHAFING, AND INTERFERENCE WITH CONTROLS.
6. REF. DETAIL D, INSTALL CAMERA UNIT INTO MC-1100-1 HOUSING ASSEMBLY. THE SCREW-ON LENS COVER MUST BE REMOVED FOR CAMERA REMOVAL OR REPLACEMENT.
7. HOUSING ASSEMBLY, MC-1100-1, IS ATTACHED TO THE MOUNT BY A SINGLE BOLT AND WASHER AS SHOWN. IT MAY BE INSTALLED OR REMOVED ACCORDING TO MISSION REQUIREMENTS. A BLANK CONNECTOR IS PROVIDED FOR CABLE STOWAGE WHEN CAMERA ASSEMBLY IS REMOVED.
8. VERIFY MAGNETIC COMPASS CORRECTION CHART AND REVISE IF REQUIRED.

WEIGHT AND BALANCE DATA: _____ ARM: (IN.) _____

ITEM	WEIGHT: (LBS)	LONGITUDINAL	LATERAL
206MC-1000-1 BRACKET INST.	0.23	4.5	+4.9
MC-1100-(X) HOUSING + CAMERA	0.86	4.5	+6.4
IK-C40A CONTROL UNIT	1.7	33.9	-3.8
CABLES	0.31	19.0	-
ESS0050-1 CONVERTER	0.6	48	-3.06
ESS0051-1 CONVERTER	1.7	48	-3.06

SHEET	REV	ECO	DATE	DESCRIPTION	APR	CHK
1, 2, 3	A		05/16/94	ESS0050-1 WAS ESS0051, 5A890 WAS 5B903 ADDED AN960PDBL & MS21042L08	REB	LS
1, 2	B		05/31/95	ADDED 1 JF4.8F1.8 LENS TO BOM, WAS 0255569	REB	LS
1 - 4	C		01/05/07	ADD SH-4, ADD MS25036-102(1 EA), MS25036-102(3 EA) ADD ALT. ESS0051-1 TO WTBAL DATA, REVISED TO ITEM NUMBER COMPONENTS WITH ATTACHED BILL OF MATERIALS. ADDED -2 INSTALLATION, DETAIL D, NOTE A		

REVISE AIRCRAFT WEIGHT AND BALANCE DATA TO REFLECT BRACKET AND CONTROL BOX INSTALLATION. PLACE FLIGHT MANUAL SUPPLEMENT IN FLIGHT MANUAL. MAKE APPROPRIATE LOGBOOK ENTRY UPON REMOVAL OR INSTALLATION OF CAMERA ASSEMBLY.
INSTRUCTIONS FOR CONTINUED AIRWORTHINESS:
-100 HOUR INTERVALS-
INSPECT ALL PENETRATION POINTS, MOUNT BRACKET, CANISTER, AND 12V POWER SUPPLY ATTACHMENT FOR CRACKS, SECURITY.
INSPECT ELECTRICAL CABLES FOR CHAFING AND SECURITY.

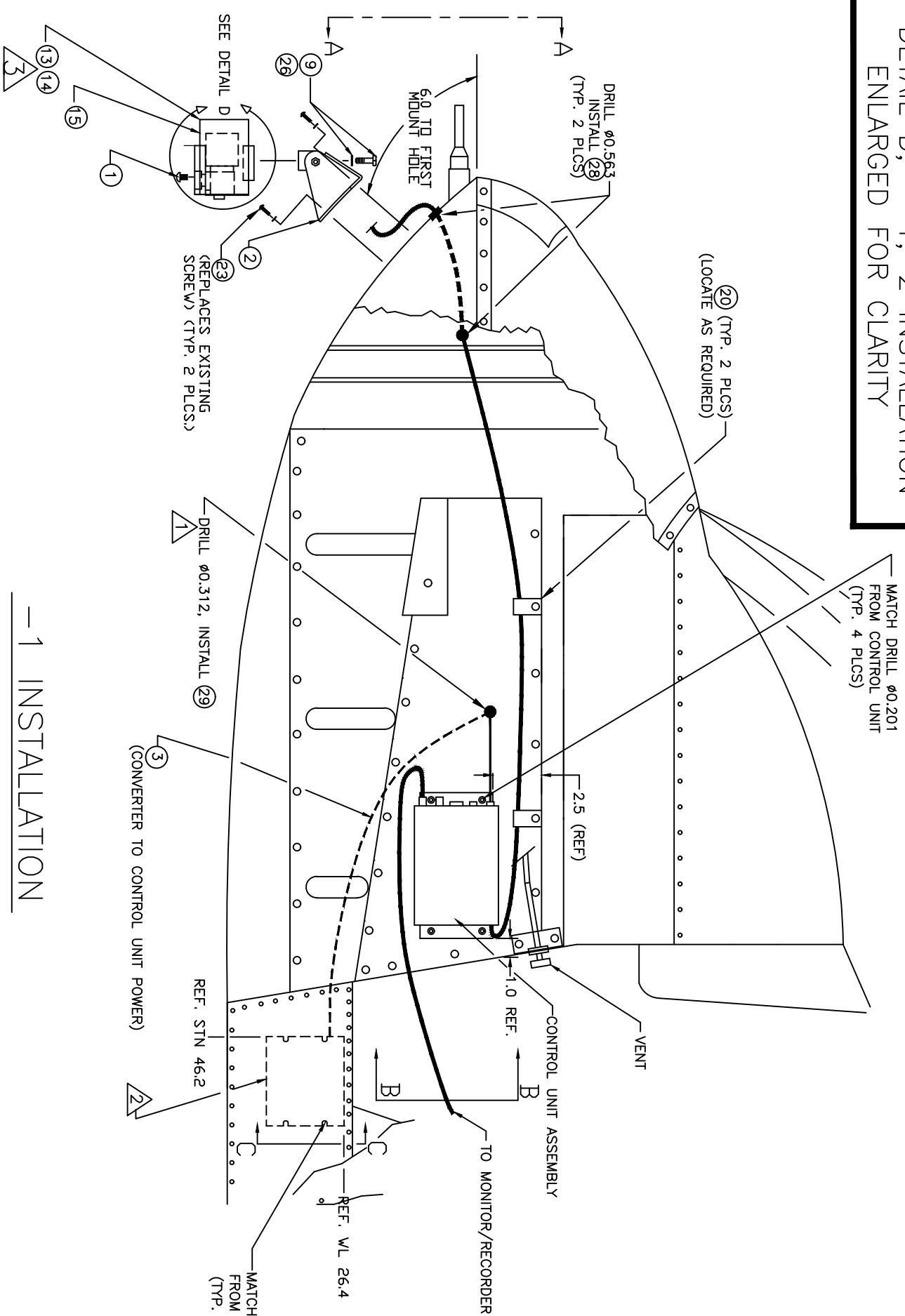
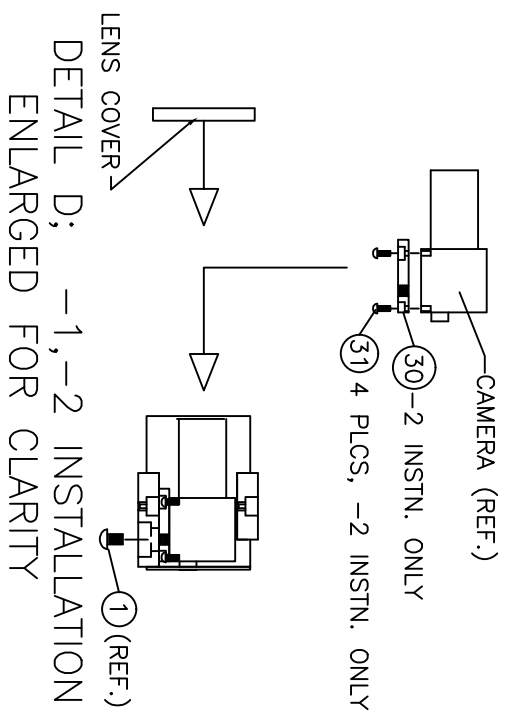
NOTES:

- MS35489 OR EQUIVALENT GENERAL PURPOSE GROMMET OF SIMILAR DIMENSIONS MAY BE SUBSTITUTED. SPLIT FOR INSTALLATION.
- APPROXIMATE CENTER CONSOLE LOCATION. RELOCATE IF NECESSARY SO AS TO CLEAR ALL MOVING PARTS.
- TOSHIBA IK-C40A OR ALTERNATE CAMERA AND CONTROL UNIT OF SIMILAR SIZE AND WEIGHT IS MANUFACTURED AS MATCHED PAIR. INDIVIDUAL CAMERA AND CONTROL UNITS SHOULD NOT BE MIXED.

-CONFIDENTIAL INFORMATION-
THE INFORMATION AND DATA CONTAINED HEREIN IS PROPRIETARY AND IS SUBMITTED IN CONFIDENCE AND SHALL NOT BE DISCLOSED, USED OR DUPLICATED FOR ANY PURPOSE WHATSOEVER WITHOUT THE PRIOR WRITTEN PERMISSION OF PARAVION TECHNOLOGY, INC.

Paravion® Inc. Technology	TITLE CAMERA MOUNT INSTALLATION	DRAWING NO. 206MC-101
DIMENSIONS IN INCHES TOLERANCES EXCEPT WHERE NOTED:	DRAWN (APRVD, CHK'D) BY BY DATE RHSM RHSM LS 03/14/94	REV ECO C
.X = ± .1 .XX = ± .05 .XXX = ± .010 ANGLES = ± 1°	DO NOT SCALE DRAWING	SHEET 1 OF 4
© 2000 PARAVION TECH, INC. PARAVION IS A TRADEMARK OF PARAVION TECHNOLOGY, INC.		

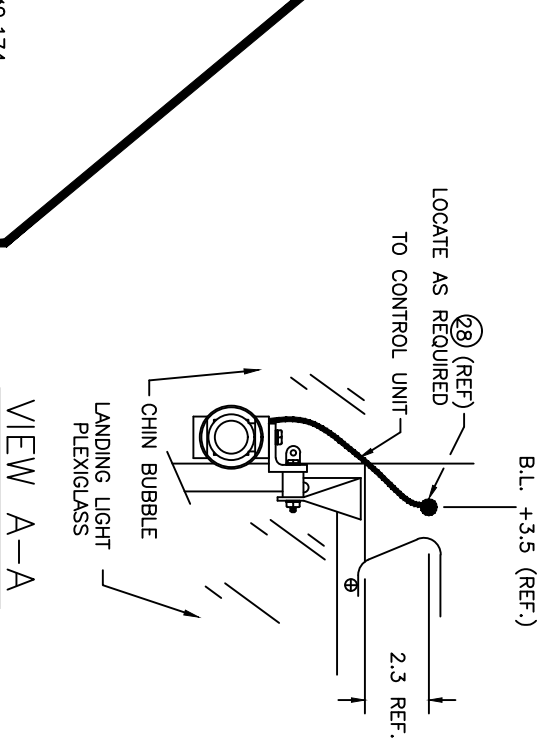
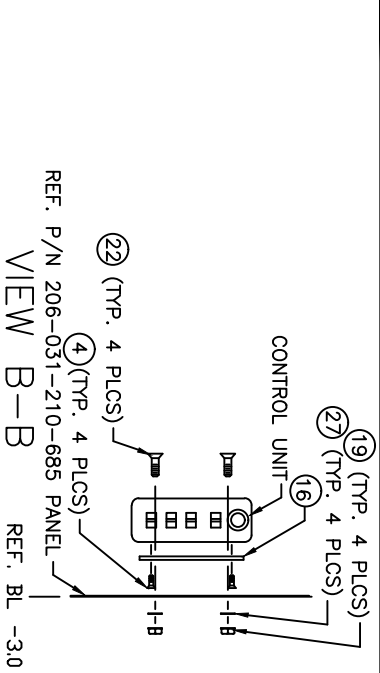
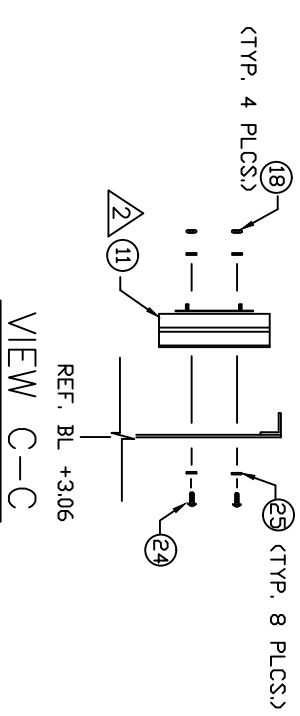
INSTALLATION	CAMERA(REF.)
-1	TOSHIBA JK-C40A
-2	TOSHIBA JK-TU53



-1 INSTALLATION

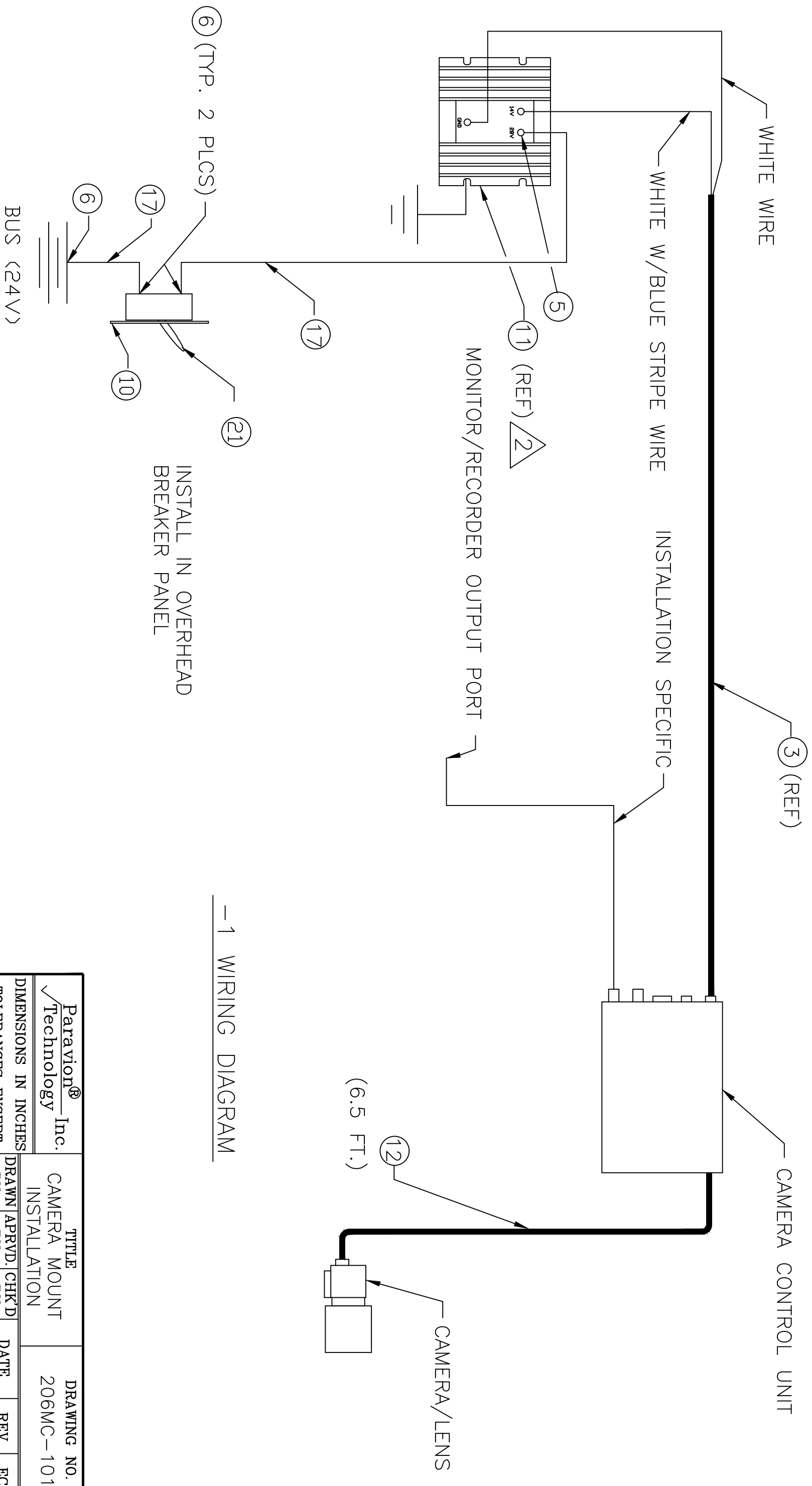
BREAK ALL SHARP EDGES

THE INFORMATION AND DATA CONTAINED HEREIN IS PROPRIETARY AND IS SUBMITTED IN CONFIDENCE, AND SHALL NOT BE DISCLOSED, USED OR DUPLICATED FOR ANY PURPOSE WHATSOEVER WITHOUT THE PRIOR WRITTEN PERMISSION OF PARAVION TECHNOLOGY, INC.



Paravion® Inc.		TITLE		DRAWING NO.	
Technology		CAMERA MOUNT INSTALLATION		206MC-101	
DIMENSIONS IN INCHES					
TOLERANCES EXCEPT WHERE NOTED:					
X	= ± .1	DATE	03/14/94	REV	ECO
.XX	= ± .05	BY	LS	C	
.XXX	= ± .010	APPRD.	CHK'D		
ANGLES	= ± 1°	BY	BY		
		PR	LS		

PROTO	N/C
DO NOT SCALE DRAWING	
SHEET	
2	OF 4



INSTALL IN OVERHEAD
BREAKER PANEL

-1 WIRING DIAGRAM

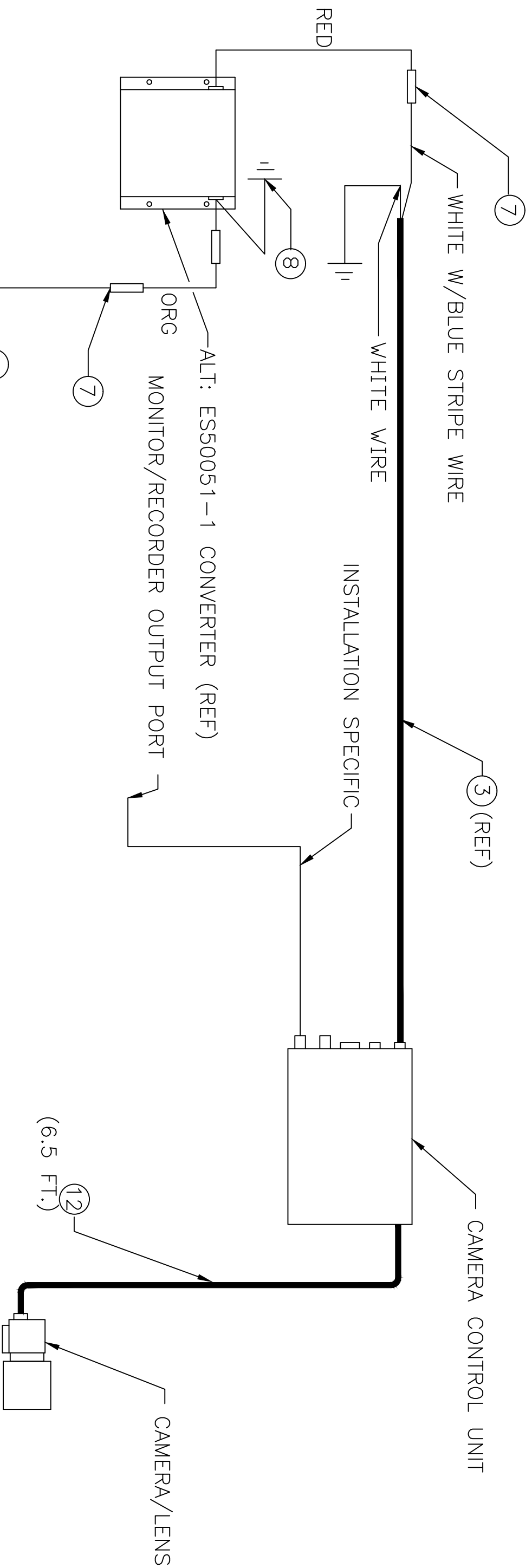
NOTE:
REFER TO MANUFACTURERS
DATA FOR FURTHER INFORMATION.

-CONFIDENTIAL INFORMATION-
THE INFORMATION AND DATA CONTAINED HEREIN
IS PROPRIETARY AND IS SUBMITTED IN CONFIDENCE.
AND SHALL NOT BE DISCLOSED, USED OR DUPLICATED
FOR ANY PURPOSE WHATSOEVER WITHOUT THE PRIOR
WRITTEN PERMISSION OF PARAVION TECHNOLOGY, INC.

Paravion® Inc.		TITLE		DRAWING NO.	
Technology		CAMERA MOUNT INSTALLATION		206MC-101	
DIMENSIONS IN INCHES					
TOLERANCES EXCEPT WHERE NOTED:					
X	= ±	.1			
.XX	= ±	.05			
.XXX	= ±	.010			
ANGLES	= ±	1°			
DRAWN BY		CHK'D BY	DATE	REV	ECO
RHSM		LS	03/14/94	C	
DO NOT SCALE DRAWING				SHEET	
© 2000 PARAVION TECH., INC. PARAVION IS A TRADEMARK OF PARAVION TECHNOLOGY, INC.				3 OF 4	

PROTO

N/C



-1 ALT: WIRING DIAGRAM
(FOR ES50051-1 CONVERTER)

INSTALL IN OVERHEAD
BREAKER PANEL

BUS (24V)

NOTE:
REFER TO MANUFACTURERS
DATA FOR FURTHER INFORMATION.

-CONFIDENTIAL INFORMATION-
THE INFORMATION AND DATA CONTAINED HEREIN
IS PROPRIETARY AND IS SUBMITTED IN CONFIDENCE.
AND SHALL NOT BE DISCLOSED, USED OR DUPLICATED
FOR ANY PURPOSE WHATSOEVER WITHOUT THE PRIOR
WRITTEN PERMISSION OF PARAVION TECHNOLOGY, INC.

PROTO	N/C
Paravion® Inc. Technology DIMENSIONS IN INCHES TOLERANCES EXCEPT WHERE NOTED: .X = ± .1 .XX = ± .05 .XXX = ± .010 ANGLES = ± 1°	
TITLE: CAMERA MOUNT INSTALLATION DRAWING NO.: 206MC-101	
DRAWN BY: DUSH APPRVD. BY: PR CHK'D BY: LS DATE: 03/14/94	DO NOT SCALE DRAWING SHEET 4 OF 4
© 2000 PARAVION TECH., INC. PARAVION IS A TRADEMARK OF PARAVION TECHNOLOGY, INC.	