

NOTES:

⚠ TORQUE 50 IN.-LB.; TEST FOR SMOOTH BEARINGS OPERATION AND ASSURE THAT BOLT DOES NOT TURN IN CHANNEL. REDUCE TORQUE IF NECESSARY TO ACHIEVE SMOOTH BEARING OPERATION. FINAL TORQUE MUST BE SUFFICIENT TO ENSURE BOLT DOES NOT ROTATE IN CHANNEL DURING PEDAL OPERATION.

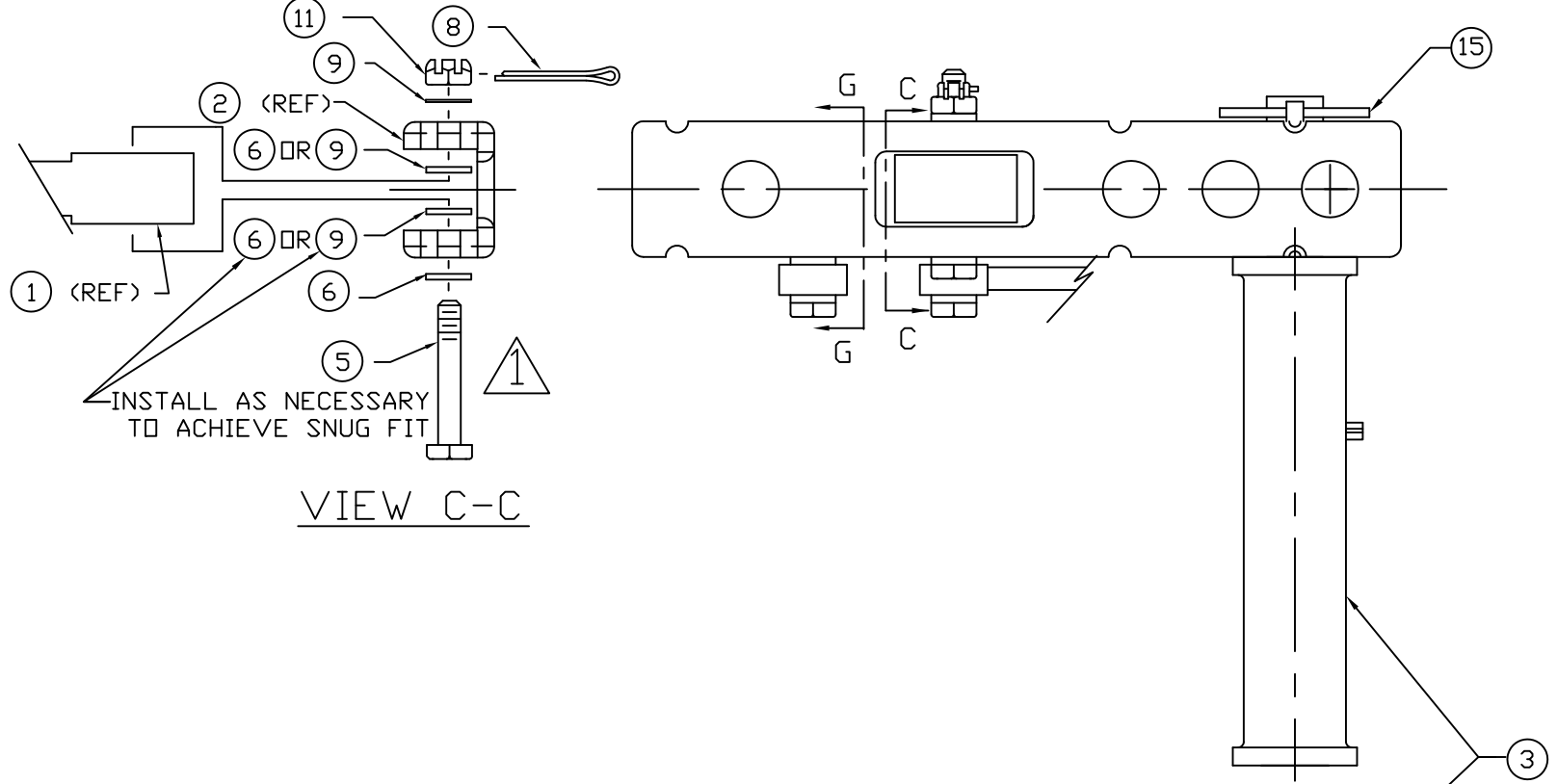
SHEET	REV	ECO	DATE	DESCRIPTION	APR	CHK
1	A		01/11/93	CORRECT WT. & BAL. DATA TO INCLUDE L-SERIES	REB	LS
1,2	B		06/20/02	ADDED -3/-4 INSTALLATIONS. ELIMINATED INSTALLATION INSTRUCTIONS FROM THE DWG. AND CREATED PR-206PX-900M INSTALLATION INSTRUCTIONS. ADDED VIEWS TO SH.2 FOR CLARITY.		
1,2		1	01/28/08	ADDED NOTE ⚠		

WEIGHT AND BALANCE DATA  
(206PX-100 INSTALLATION ON BELL 206 HELICOPTERS)

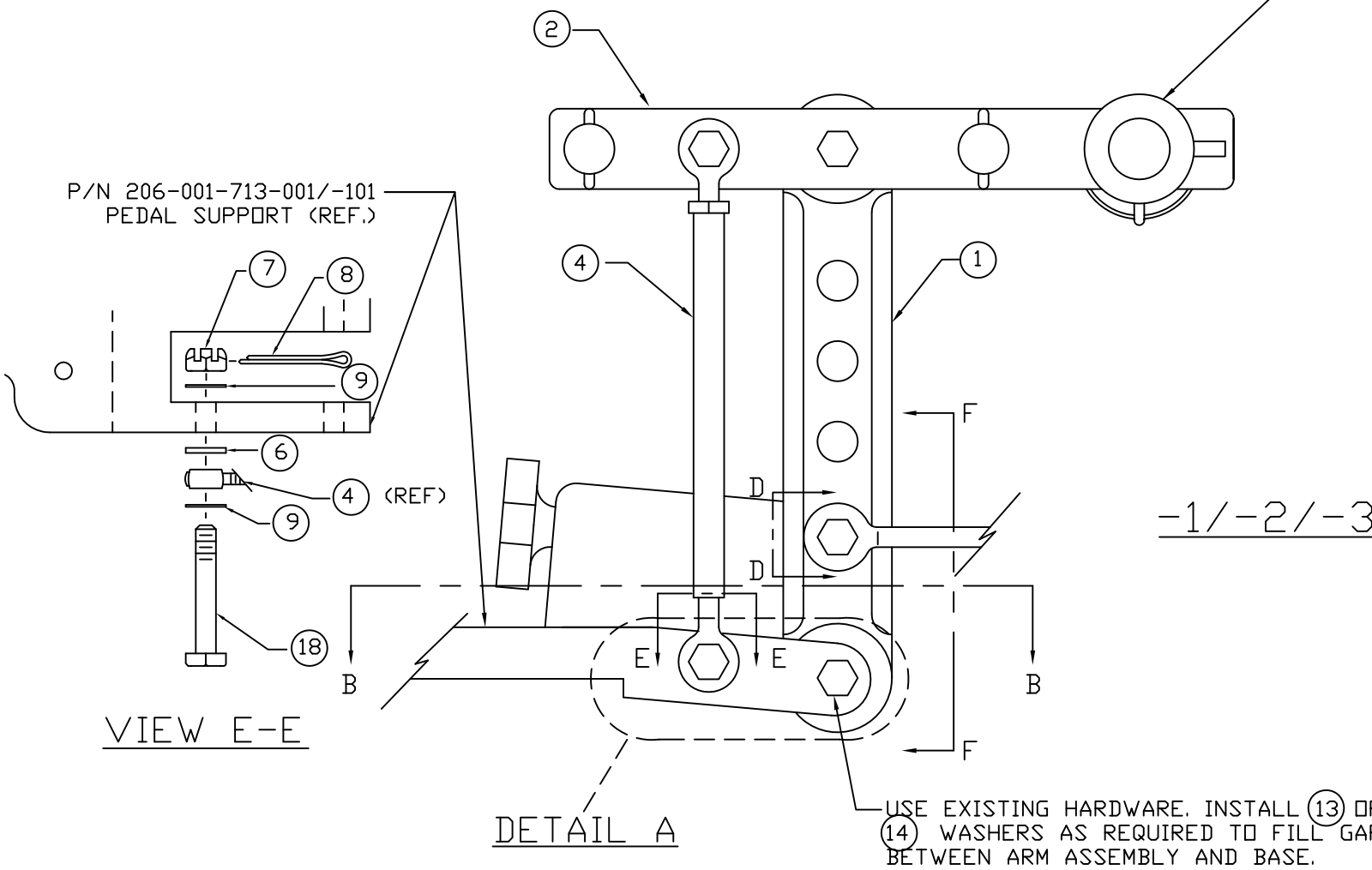
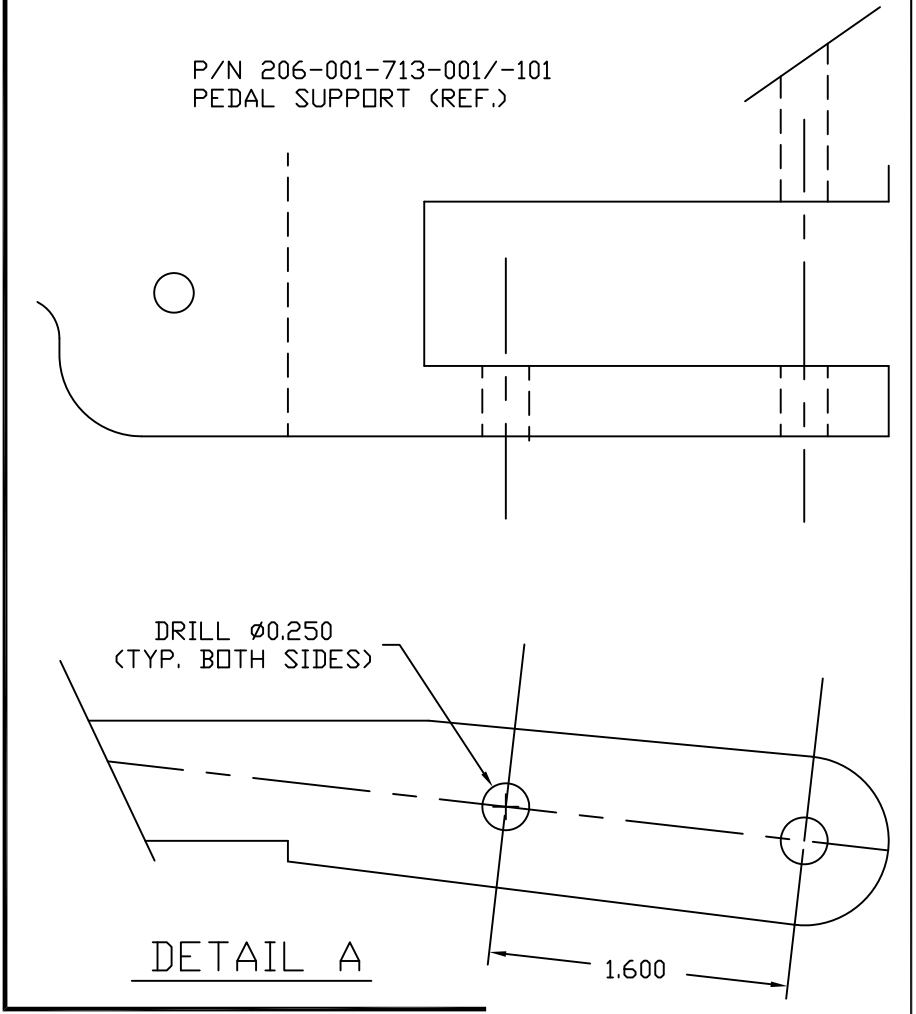
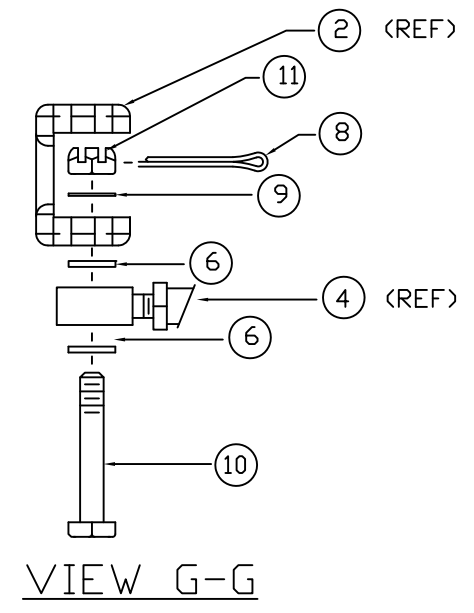
INSTALLATION	LOCATION	NET WEIGHT INCREASE (lbs.)		NET MOMENT CHANGE (in-lbs)			
				LONGITUDINAL		LATERAL	
		206 A/B	206L-SER.	206 A/B	206L-SER.	206 A/B	206L-SER.
206PX-100-1/-3	L.H. CONTROLS	+3.4	+1.84	123.08	66.61	-37.40	-20.24
206PX-100-2/-4	R.H. CONTROLS	+3.4	+1.84	123.08	66.61	+47.60	+25.76

PROTO	<b>Paravion® Technology</b> Inc.		TITLE PEDAL EXTENSION INSTALLATION		DRAWING NO. 206PX-100			
	DIMENSIONS IN INCHES		DRAWN BY	APRVD. BY	CHK'D BY	DATE	REV	ECO
	TOLERANCES EXCEPT WHERE NOTED: .X = ± .1 .XX = ± .05 .XXX = ± .010  ANGLES = ± 1°		RHSM	REB	LS	09/21/92	B	1
N/C			DO NOT SCALE DRAWING			SHEET 1 OF 3		
		© 1999 PARAVION TECH., INC. PARAVION IS A TRADEMARK OF PARAVION TECHNOLOGY, INC.						

\*NOTES:  
 -1/-3 INSTALLATIONS ARE LEFT OF INSTRUMENT CONSOLE  
 -2/-4 INSTALLATIONS ARE RIGHT OF INSTRUMENT CONSOLE  
 -3/-4 INSTALLATIONS SUPERCEDE -1/-2 INSTALLATIONS.



INSTALL AS NECESSARY  
 TO ACHIEVE SNUG FIT  
 VIEW C-C

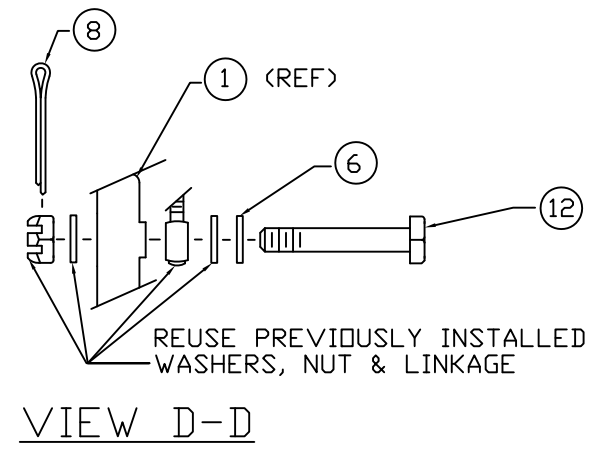


P/N 206-001-713-001/-101  
 PEDAL SUPPORT (REF.)

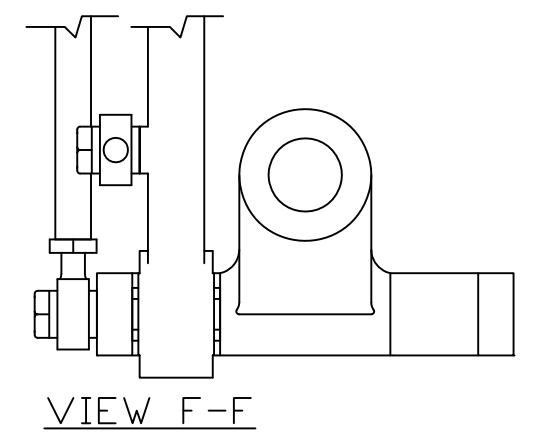
VIEW E-E

DETAIL A

USE EXISTING HARDWARE. INSTALL (13) OR (14) WASHERS AS REQUIRED TO FILL GAP BETWEEN ARM ASSEMBLY AND BASE.



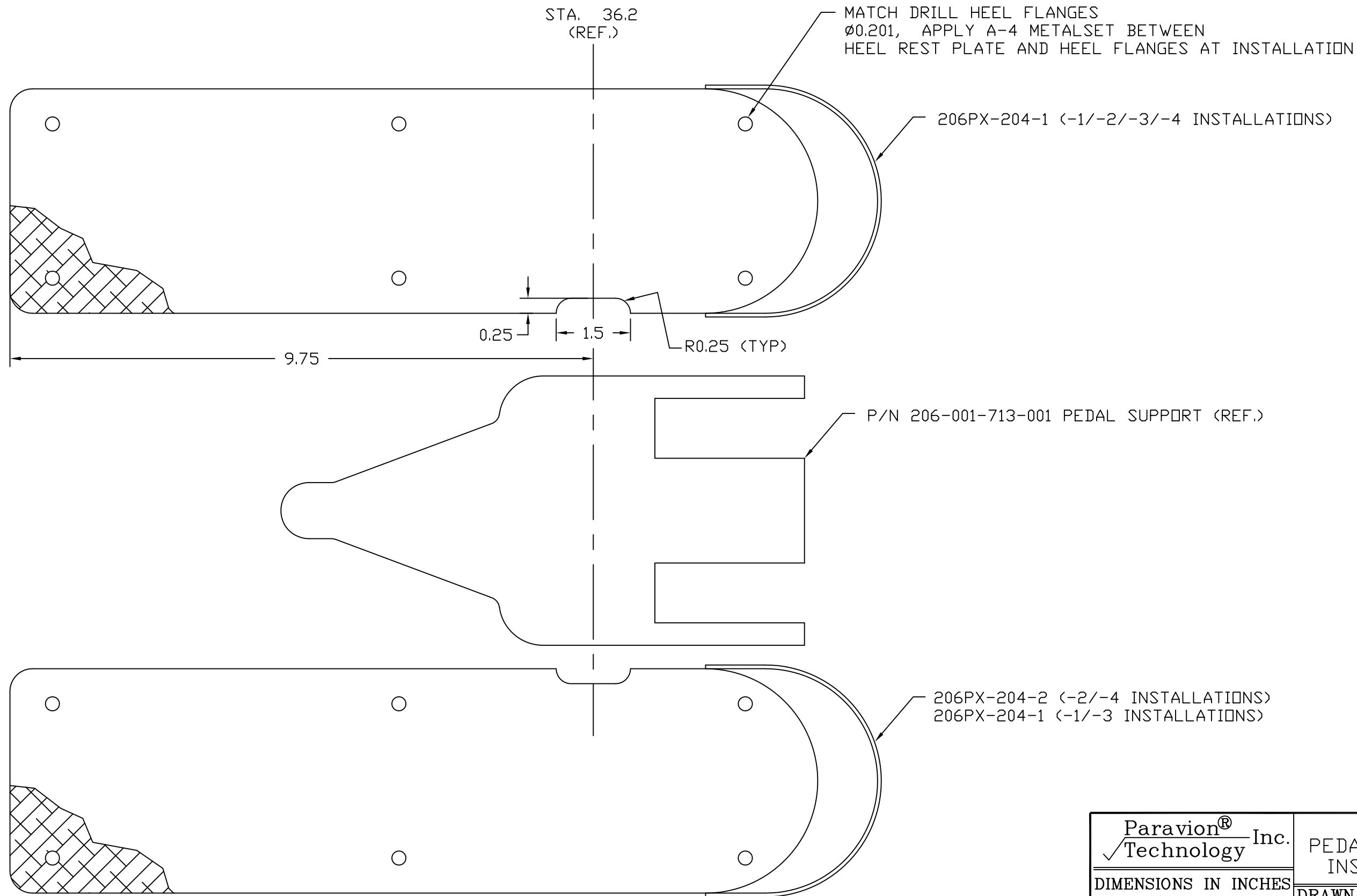
REUSE PREVIOUSLY INSTALLED  
 WASHERS, NUT & LINKAGE



-1/-2/-3/-4 INSTALLATION\* (ALL VIEWS & DETAILS)

PROTO  
 N/C

<b>Paravion® Inc.</b> DIMENSIONS IN INCHES TOLERANCES EXCEPT WHERE NOTED: .X = ± .1 .XX = ± .05 .XXX = ± .010 ANGLES = ± 1°	<b>TITLE</b> PEDAL EXTENSION INSTALLATION		<b>DRAWING NO.</b> 206PX-100		
	<b>DRAWN BY</b> RHSM	<b>APRVD. BY</b> REB	<b>CHK'D BY</b> LS	<b>DATE</b> 09/21/92	<b>REV</b> B
DO NOT SCALE DRAWING					<b>SHEET</b> 2 OF 3
© 1999 PARAVION TECH., INC. PARAVION IS A TRADEMARK OF PARAVION TECHNOLOGY, INC.					



VIEW B-B

-1/-3 INSTALLATIONS ARE LEFT OF INSTRUMENT CONSOLE  
 -2/-4 INSTALLATIONS ARE RIGHT OF INSTRUMENT CONSOLE

PROTO
N/C

<b>Paravion® Inc.</b> Technology		TITLE PEDAL EXTENSION INSTALLATION			DRAWING NO. 206PX-100	
DIMENSIONS IN INCHES TOLERANCES EXCEPT WHERE NOTED:						
DRAWN BY RHSM	APRVD. BY REB	CHK'D BY LS	DATE 09/21/92	REV B	ECO	
ECO				DO NOT SCALE DRAWING		SHEET 3 OF 3
© 1999 PARAVION TECH., INC. PARAVION IS A TRADEMARK OF PARAVION TECHNOLOGY, INC.						

.X = ± .1  
 .XX = ± .05  
 .XXX = ± .010  
 ANGLES = ± 1°