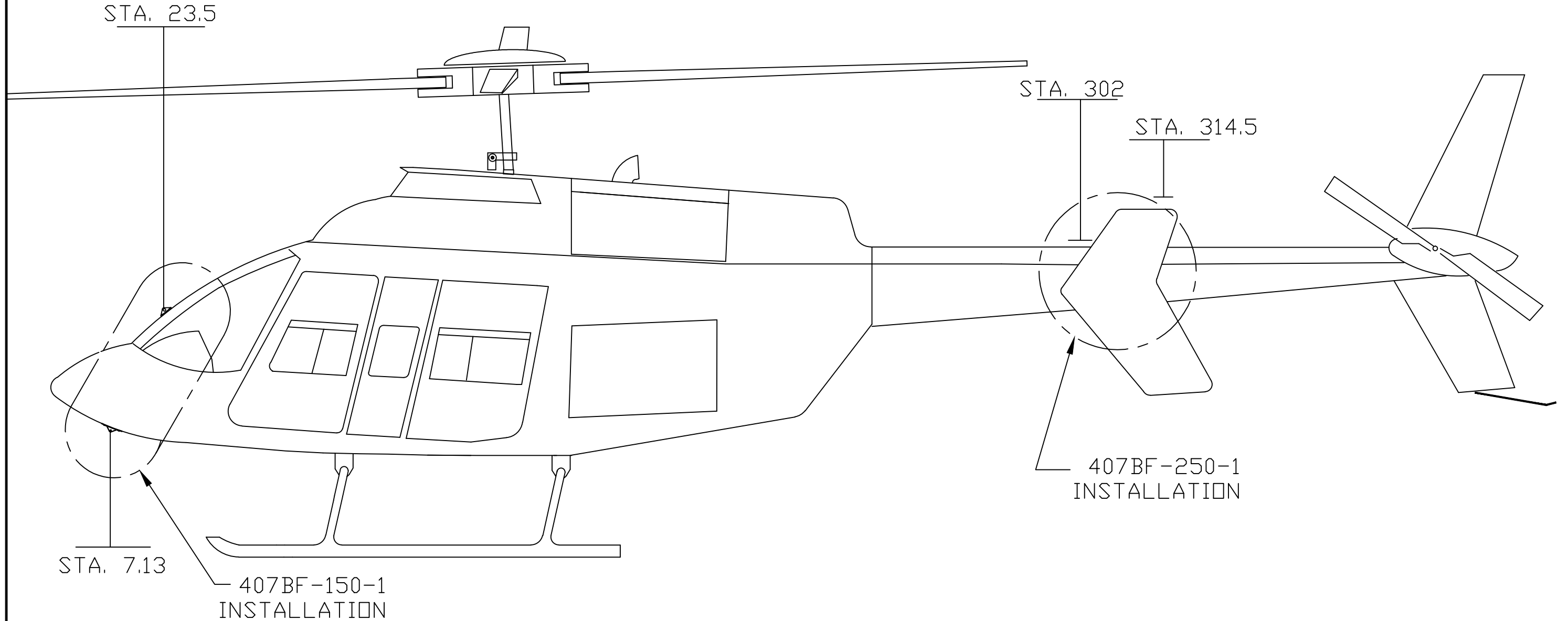


INSTALLATION	FWD MOUNT INST'N	AFT MOUNT INST'N
407BF-100-1	407BF-150-1	407BF-250-1

ECO	SHEET	REV	DATE	DESCRIPTION	APR	CHK



-1 INSTALLATION

PROTO
N/C

Paravion® Inc. Technology		TITLE MOUNTING CONFIGURATION			DRAWING NO. 407BF-100	
DIMENSIONS IN INCHES TOLERANCES EXCEPT WHERE NOTED: .X = ± .1 .XX = ± .05 .XXX = ± .010 ANGLES = ± 1°		DRAWN BY KRG ECO	APRVD. BY MR	CHK'D BY LS	DATE 11/24/99	REV N/C
DO NOT SCALE DRAWING					SHEET 1 OF 1	
© 1999 PARAVION TECH., INC. PARAVION IS A TRADEMARK OF PARAVION TECHNOLOGY, INC.						

Bill of Materials

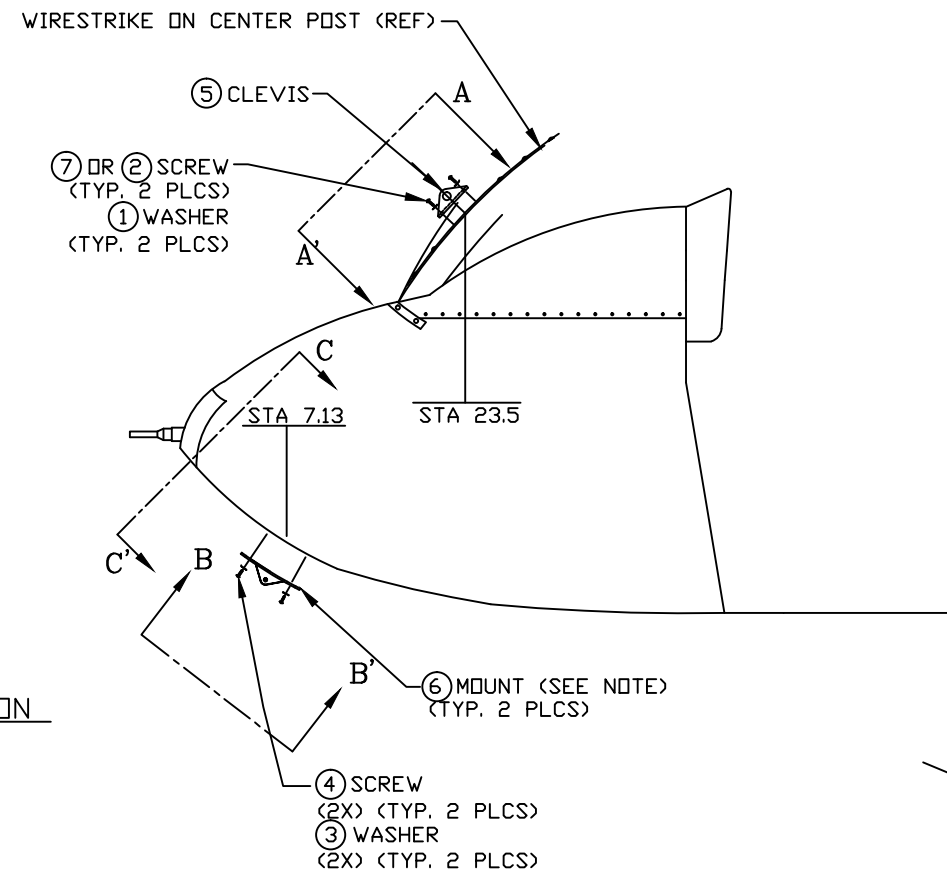
407BF-100-1, REV. N/C

ITEM #	P/N	DESCRIPTION	QTY	TYP
0	407BF-100-1, REV. N/C	BLADE FOLDING KIT	1	KIT
1	407BF-150-1	MOUNT & CLEVIS INST'N	1	EA
2	407BF-250-1	CLEVIS INST'N	1	EA

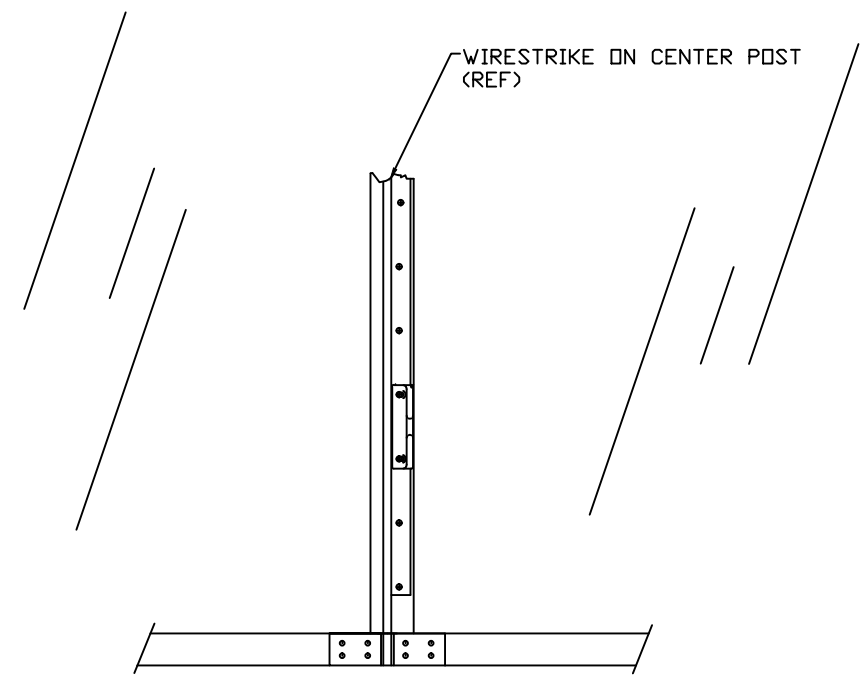


NOTE:
 ATTACH BRACKETS TO TOP LONGITUDINAL (1st) AND 2nd SCREW HOLES IN
 LANDING LIGHT PANEL AT 2.68 LBL AND THE 2nd BRACKET AT 4.5 RBL.
 4° ANGLE ON 407BF-2000-1 MUST BE PARALLEL TO LONGITUDINAL AXIS.

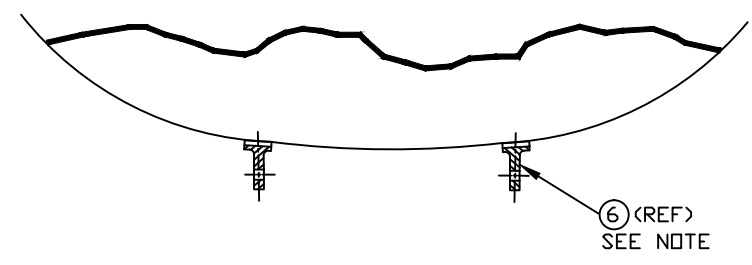
SHEET	REV	ECO	DATE	DESCRIPTION	APR	CHK
1	A		02/25/00	ADDED ITEM 7 MS27039-08-13 (2 EA.) ALT. ADDED VIEW C-C'	MR	LS



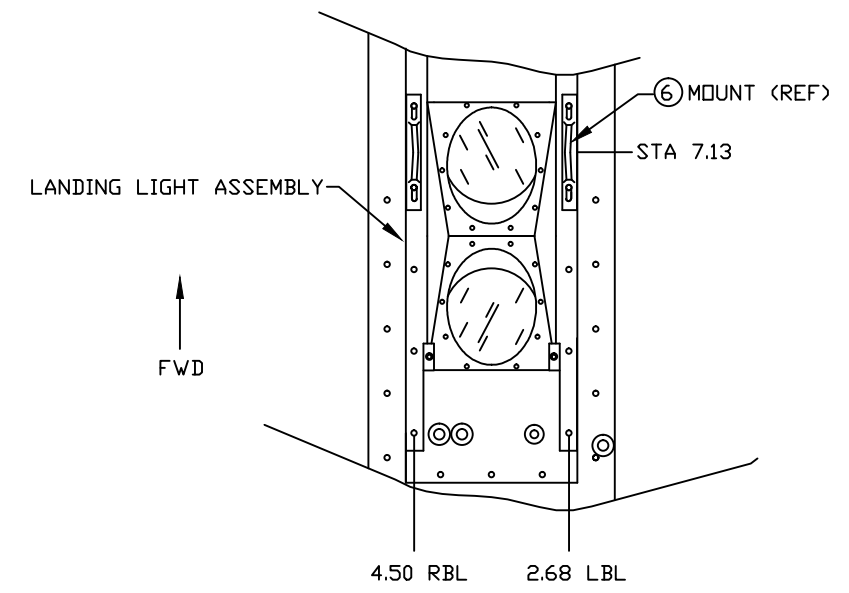
-1 INSTALLATION



VIEW A-A'
 ENLARGED 2X FOR CLARITY



VIEW C-C'
 ENLARGED FOR CLARITY



VIEW B-B'
 ENLARGED FOR CLARITY

BREAK ALL SHARP EDGES

-CONFIDENTIAL INFORMATION-
 THE INFORMATION AND DATA CONTAINED HEREIN
 IS PROPRIETARY AND IS SUBMITTED IN CONFIDENCE;
 AND SHALL NOT BE DISCLOSED, USED OR DUPLICATED
 FOR ANY PURPOSE WHATSOEVER WITHOUT THE PRIOR
 WRITTEN PERMISSION OF PARAVION TECHNOLOGY, INC.

PROTO
 N/C

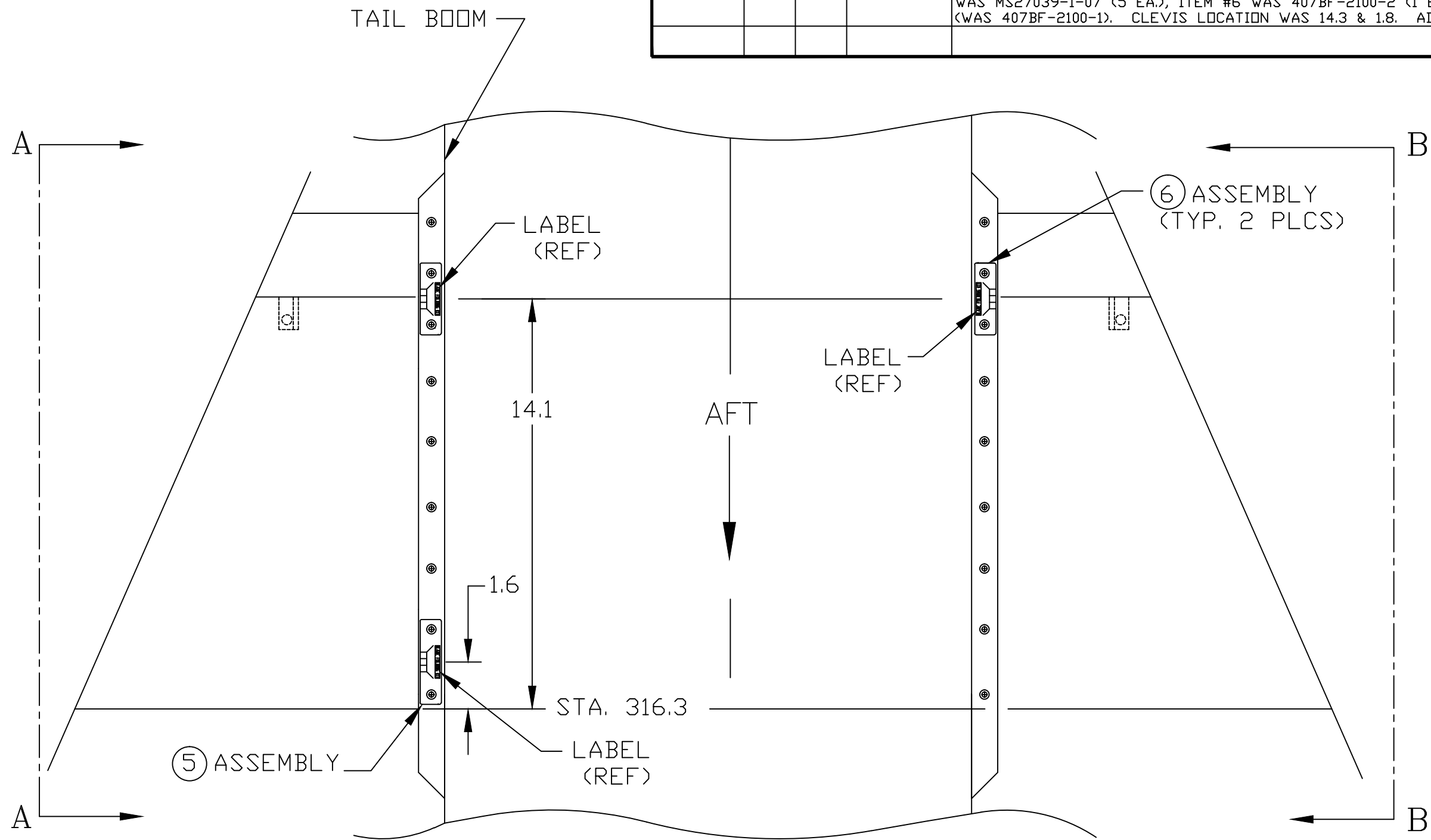
Paravion® Technology Inc.		TITLE MOUNT & CLEVIS INSTALLATION			DRAWING NO. 407BF-150	
DIMENSIONS IN INCHES						
TOLERANCES EXCEPT WHERE NOTED:						
.X = ± .1						
.XX = ± .05						
.XXX = ± .010						
ANGLES = ± 1°						
THREADS: INTERNAL=CLASS 2B EXTERNAL=CLASS 2A						
DRAWN BY	APRVD. BY	CHK'D BY	DATE	REV	ECO	
KRG	MR	LS	11/18/99	A		
DO NOT SCALE DRAWING					SHEET	
© 2004 PARAVION TECH., INC. PARAVION IS A TRADEMARK OF PARAVION TECHNOLOGY, INC.					1 OF 1	

Bill of Materials

*407BF-150-1, REV. A

ITEM #	P/N	DESCRIPTION	QTY	TYP
0	*407BF-150-1, REV. A	MOUNT & CLEVIS INST'N	1	KIT
1	NAS1149DN816J	WASHER	2	EA.
2	MS27039-08-15	SCREW	2	EA.
3	NAS1149F0332P	WASHER	4	EA.
4	MS27039-1-10	SCREW	4	EA.
5	407BF-2100-3	CLEVIS	1	EA.
6	407BF-2000-1	MOUNT	2	EA.
7	MS27039-08-13	SCREW	2	EA.

SHEET	REV	ECO	DATE	DESCRIPTION	APR	CHK
1,2	A		11/29/00	ITEMS 6 & 7 ASSEMBLIES WERE "CLEVIS", UPDATED BRACKETS, REMOVED STA. 302 & STA 314.5 AT CENTER OF BRACKETS. ADDED STA. 316.3. ITEM #3 WAS NAS1149D0363J (1 EA.), ITEM #4 WAS NAS1149D0332J (1 EA.), ITEM #5 WAS MS27039-1-07 (5 EA.), ITEM #6 WAS 407BF-2100-2 (1 EA.), ITEM #7 REMOVED (WAS 407BF-2100-1). CLEVIS LOCATION WAS 14.3 & 1.8. ADDED NOTES 1 & 2.	MR	LS



-1 INSTALLATION
TOP VIEW HORIZONTAL STABILIZER

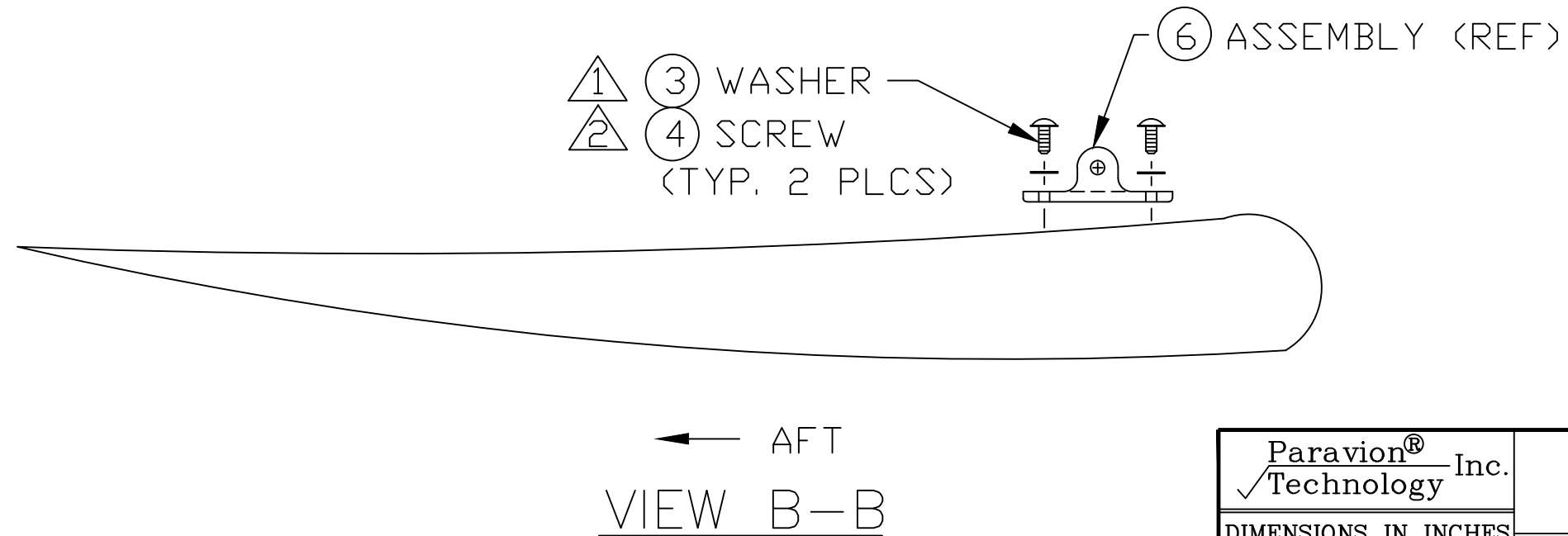
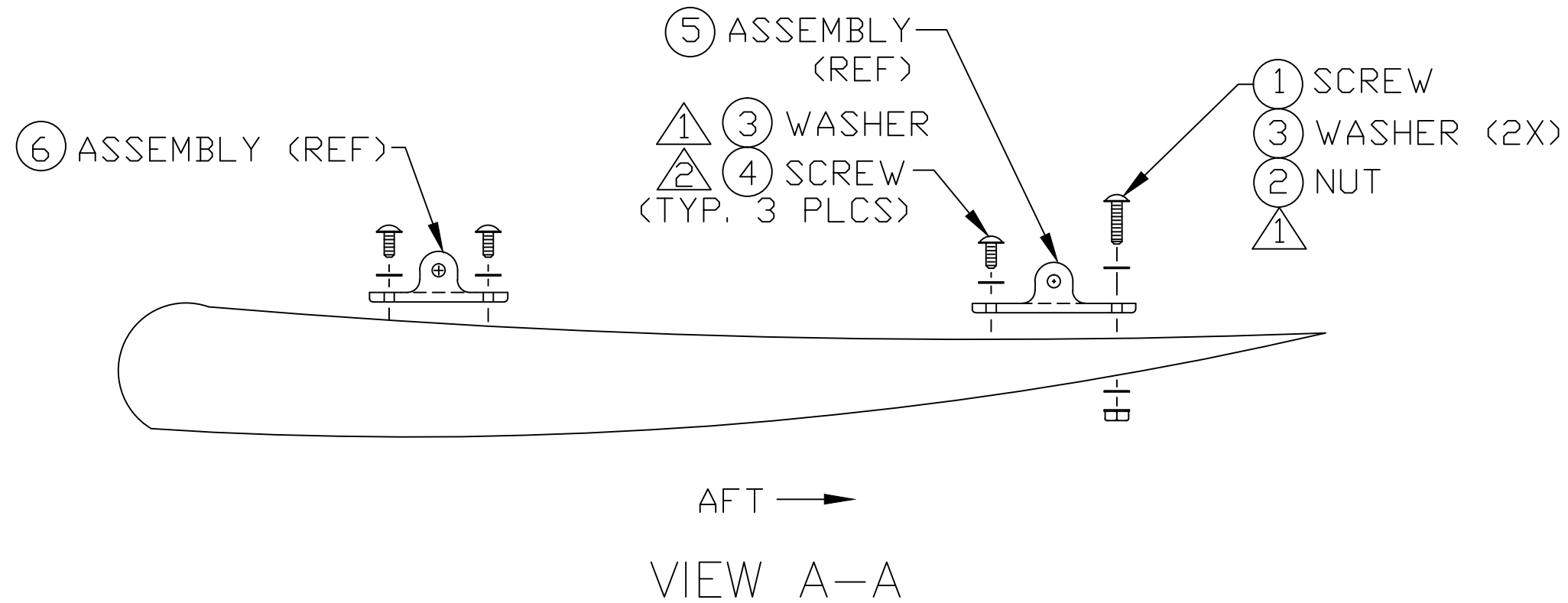
-CONFIDENTIAL INFORMATION-
THE INFORMATION AND DATA CONTAINED HEREIN
IS PROPRIETARY AND IS SUBMITTED IN CONFIDENCE;
AND SHALL NOT BE DISCLOSED, USED OR DUPLICATED
FOR ANY PURPOSE WHATSOEVER WITHOUT THE PRIOR
WRITTEN PERMISSION OF PARAVION TECHNOLOGY, INC.

PROTO
N/C

Paravion [®] Technology Inc.		TITLE CLEVIS INSTALLATION		DRAWING NO. 407BF-250	
DIMENSIONS IN INCHES					
TOLERANCES EXCEPT WHERE NOTED:					
DRAWN BY KRG		APRVD. BY MR	CHK'D BY LS	DATE 10/29/99	REV A
DO NOT SCALE DRAWING					SHEET
© 1999 PARAVION TECH., INC. PARAVION IS A TRADEMARK OF PARAVION TECHNOLOGY, INC.					1 OF 2

① TORQUE BOLTS TO 20-25 IN-LBS (RUNNING TORQUE).

② ADDITION OF (1) NAS1149D0316J WASHER IS ACCEPTABLE IF THE SCREW BOTTOMS OUT.



-CONFIDENTIAL INFORMATION-
 THE INFORMATION AND DATA CONTAINED HEREIN
 IS PROPRIETARY AND IS SUBMITTED IN CONFIDENCE;
 AND SHALL NOT BE DISCLOSED, USED OR DUPLICATED
 FOR ANY PURPOSE WHATSOEVER WITHOUT THE PRIOR
 WRITTEN PERMISSION OF PARAVION TECHNOLOGY, INC.

PROTO

N/C

Paravion® Technology Inc.		TITLE CLEVIS INSTALLATION			DRAWING NO. 407BF-250	
DIMENSIONS IN INCHES						
TOLERANCES EXCEPT WHERE NOTED:						
DRAWN BY KRG		APRVD. BY MR	CHK'D BY LS	DATE 10/29/99	REV A	ECO
					SHEET 2 OF 2	
© 1999 PARAVION TECH., INC. PARAVION IS A TRADEMARK OF PARAVION TECHNOLOGY, INC.						

.X = ± .1
 .XX = ± .05
 .XXX = ± .010
 ANGLES = ± 1°

Bill of Materials

*407BF-250-1, REV. A

ITEM #	P/N	DESCRIPTION	QTY	TYP
0	*407BF-250-1, REV. A	CLEVIS INST'N	1	KIT
1	MS27039-1-13	SCREW	1	EA.
2	MS21042L3	NUT	1	EA.
3	NAS1149D0316J	WASHER	7	EA.
4	MS27039-1-08	SCREW	5	EA.
5	407BF-2100-2	ASSEMBLY	1	EA.
6	407BF-2100-1	ASSEMBLY	2	EA.
